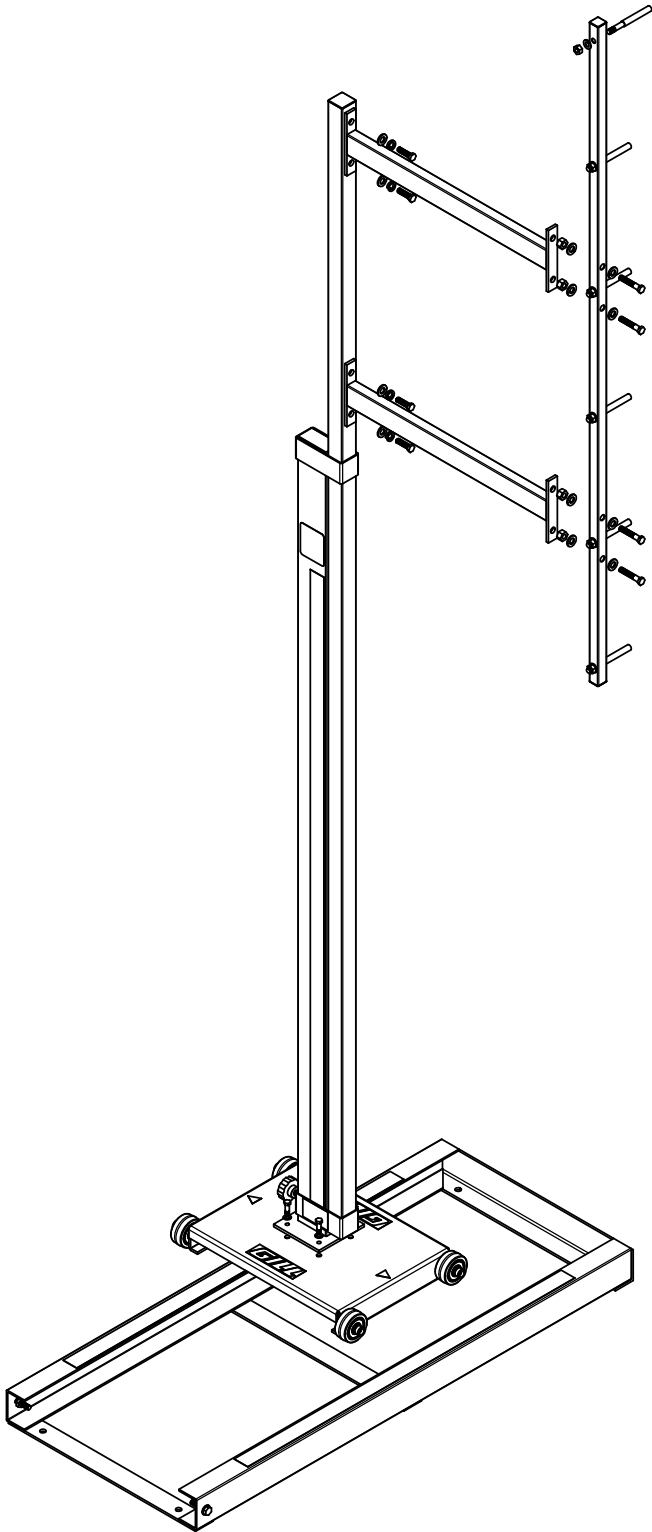




www.gillathletics.com
800-637-3090

7100 - ESSENTIALS POLE VAULT STANDARD ASSEMBLY INSTRUCTIONS



Specifications:

The upright and riser are made of steel tubing. The bases, uprights and risers are powder coated black. The offsets are powder coated white. Height adjustment from 6' to 16' reading English and Metric. Upright detaches from base rails for storage. Wide stance base for added stability. 8 base anchors included. Meets High School and NCAA specifications.

The base measures 21" x 48" and allows the standard to adjust from 0"-32" behind the 'zero' line.

Operation:

To adjust the height of the riser, loosen the clamping knob, position the riser at the desired height, and re-tighten the knob.

Caution: Over-tightening the knob can result in damaged threads, which may cause the knob to seize in place and may require a new knob and/or riser.

Tools you will need:

17mm wrench

13mm wrench

Crescent wrench



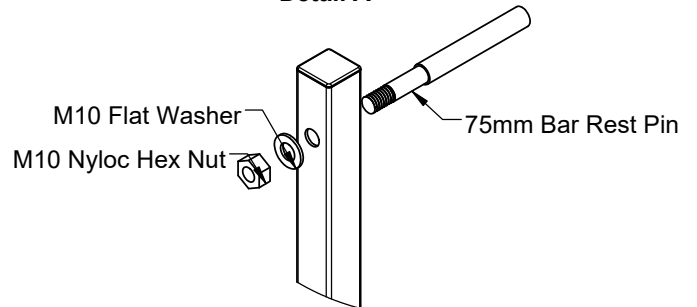
www.gillathletics.com
800-637-3090

7100 - ESSENTIALS POLE VAULT STANDARD ASSEMBLY INSTRUCTIONS

Step 1

Attach the bar rest pins to the 63" long, 1" Sqr. tube of the offset.

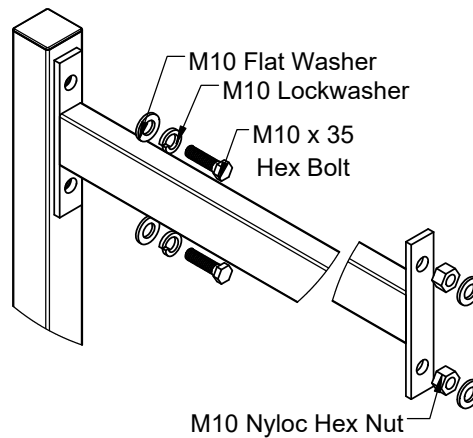
Detail A



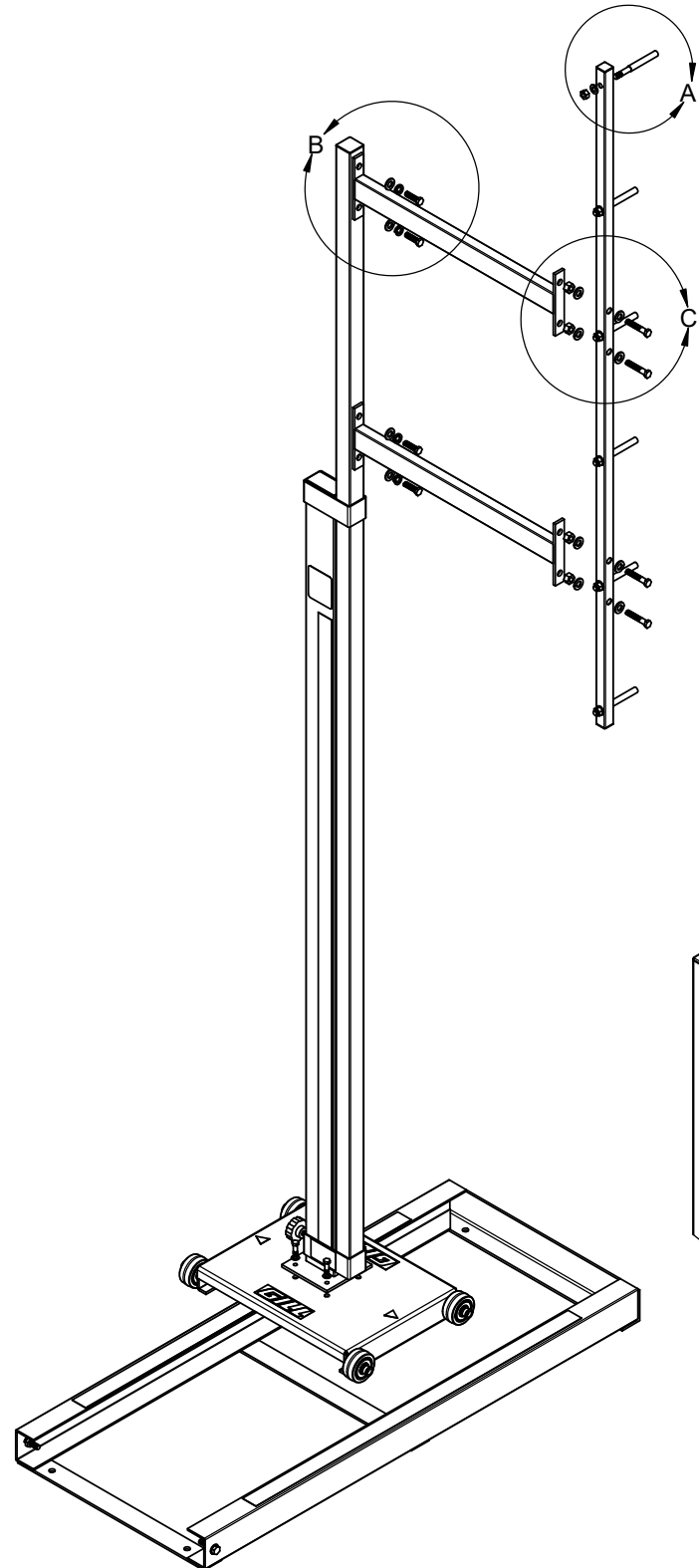
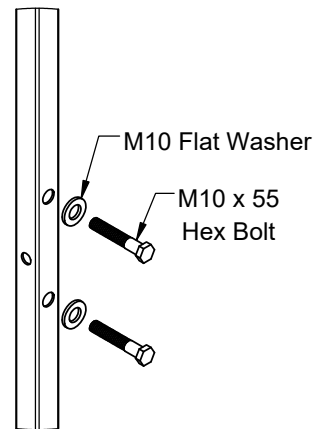
Step 2

Assemble the offset and bolt it to the riser. Make sure that the bar rest pins point towards the landing pit.

Detail B



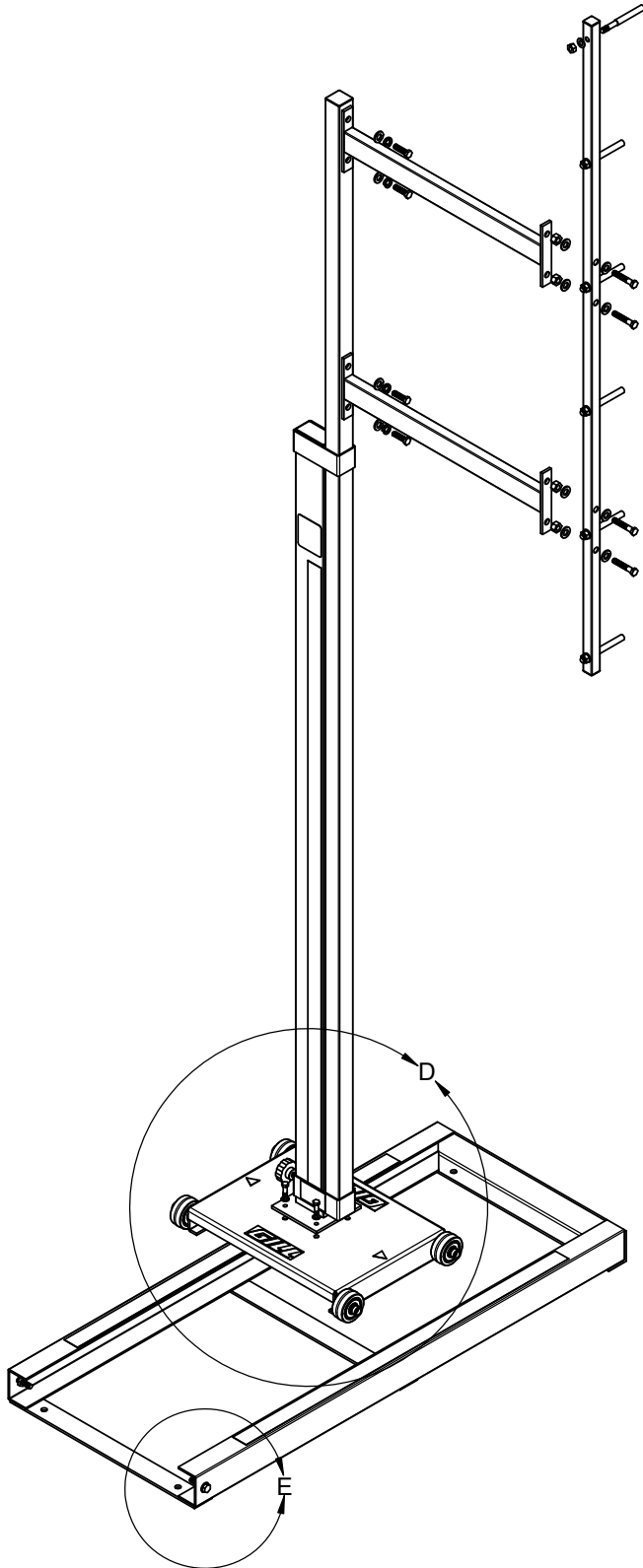
Detail C





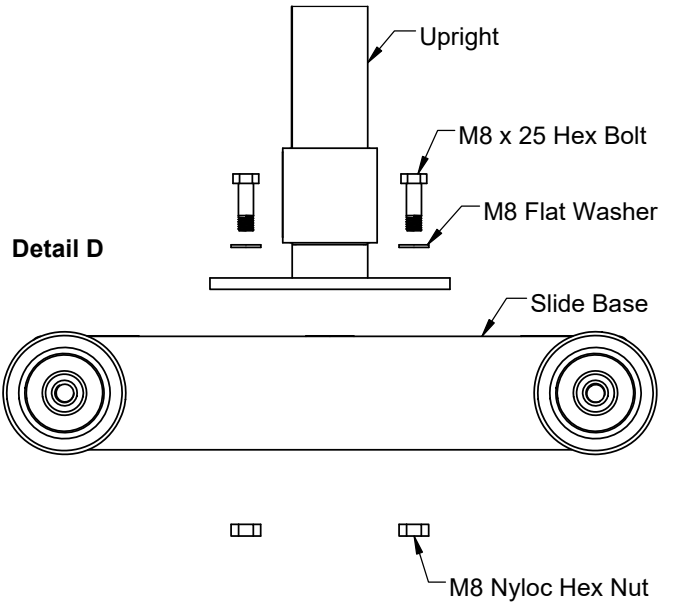
www.gillathletics.com
800-637-3090

7100 - ESSENTIALS POLE VAULT STANDARD ASSEMBLY INSTRUCTIONS



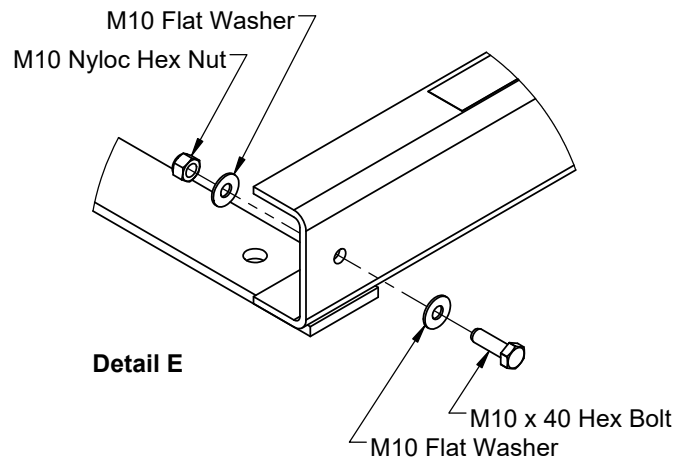
Step 3

Bolt the upright to the slide base using four M8x25 hex bolts, four M8 flat washers, and four M8 Nyloc hex nuts.



Step 4

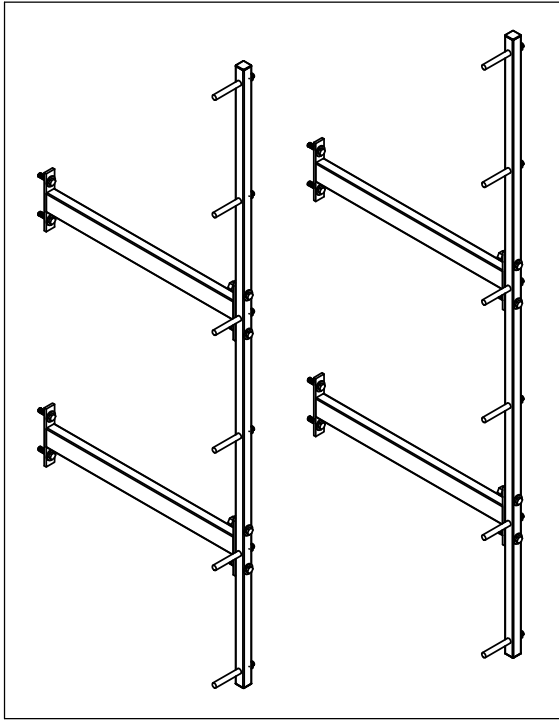
Attach the bolts into the side channels at the open end of the base as shown below.



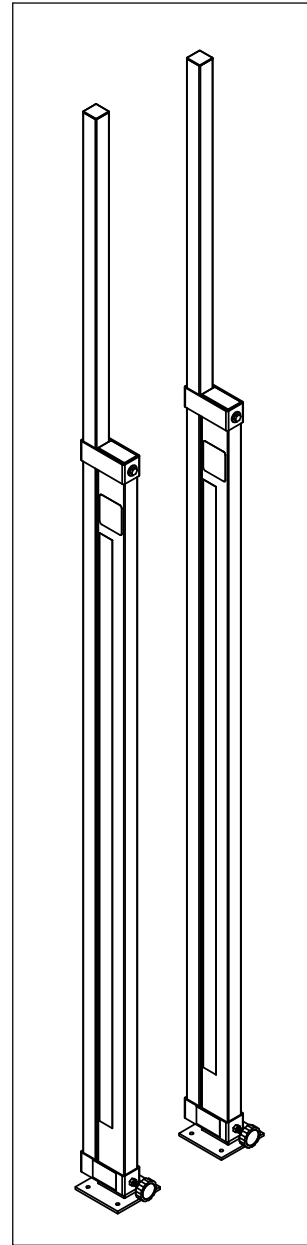


www.gillathletics.com
800-637-3090

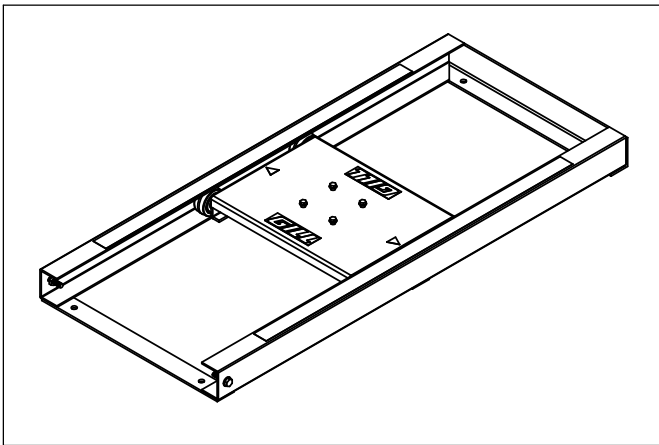
7100 - ESSENTIALS POLE VAULT STANDARD ASSEMBLY INSTRUCTIONS



P71001 - Replacement Offsets with Hardware



P71002 - Replacement Uprights & Risers



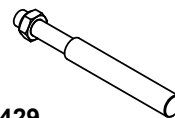
P71003 - Replacement Base with Hardware

M2861



Clamping Knob

P71429

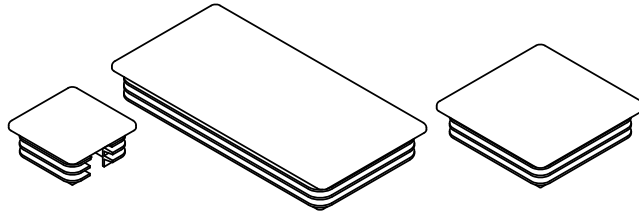


75mm Bar Rest Pin with Nut



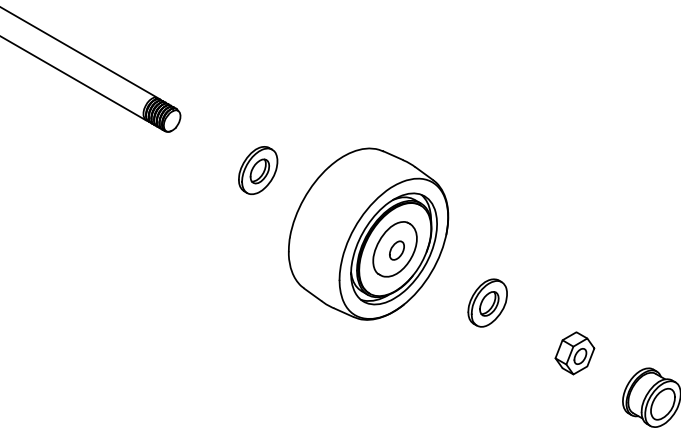
www.gillathletics.com
800-637-3090

7100 - ESSENTIALS POLE VAULT STANDARD ASSEMBLY INSTRUCTIONS



P71004

Replacement Cap Set
(For one Standard)



P71005

Replacement Wheel Kit
(Includes 2 wheels, axle, and hardware)

P71006

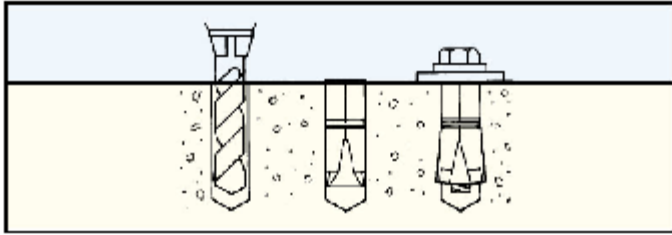
Replacement Hardware
(For One Standard)

Part	QTY.
M10 x 35 Hex Bolt	4
M10 Lockwasher	4
M10 Flat Washer	16
M10 x 55 Hex Bolt	4
M10 Nyloc Hex Nut	6
M10 x 40 Hex Bolt	2
M8 x 25 Hex Bolt	4
M8 Flat Washer	4
M8 Nyloc Hex Nut	4



www.gillathletics.com
800-637-3090

7100 - ESSENTIALS POLE VAULT STANDARD ASSEMBLY INSTRUCTIONS

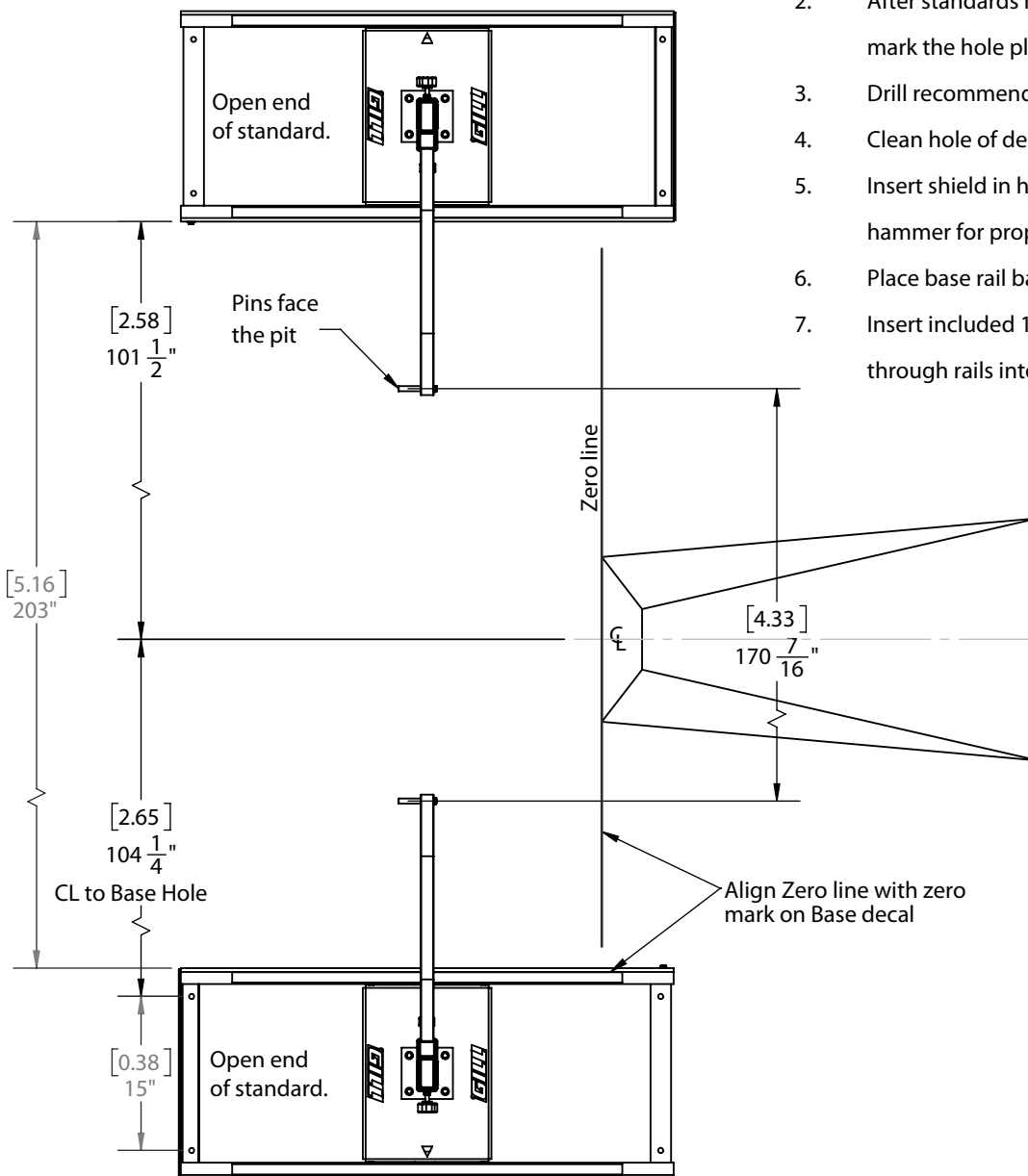


Instructional information from www.mkfastening.com.

Tools Required:

- (1) Drill
- (1) 7/8" Masonry Bit
- (1) Hammer
- (1) 3/4" Wrench or Socket

1. Proper alignment of standards is critical before drilling anchor holes. Align Zero line with zero mark on Base decal
2. After standards have been properly positioned, mark the hole placement.
3. Drill recommended diameter hole to depth of shield.
4. Clean hole of debris.
5. Insert shield in hole threaded end first and tap with hammer for proper positioning.
6. Place base rail back over holes.
7. Insert included 1/2"-13 bolt and 1/2" washer through rails into shield and tighten.



THIS WARNING IS GIVEN IN COMPLIANCE
WITH CALIFORNIA'S PROPOSITION 65:

WARNING

This product contains chemicals known to the
State of California to cause cancer, birth defects
or other reproductive harm.