

INSTALLER NOTE:

**UPON COMPLETION OF THE INSTALLATION/ ASSEMBLY OF THIS PORTABLE BACKSTOP,
MAKE SURE THIS INSTRUCTION MANUAL IS IN POSSESSION OF THE OWNER OR
FACILITY MANAGER, TO SAVE FOR FUTURE REFERENCE.**



www.porterathletic.com
888-277-7778

1635 Portable Basketball Backstop Installation, Operation, and Maintenance Manual

Dear Customer:

Congratulations on purchasing the Porter No. 1635 Competition Portable Basketball Backstop. This quality built backstop features the unique Porter Center-Strut® design for maximum player and equipment safety, while providing many features for the ultimate in competition play. Your athletes and spectators should enjoy thousands of hours of practice and competition on Porter equipment.

This booklet is intended to be used for the initial set-up of your No. 1635 backstop, and as a guide for the safe use and maintenance of the backstop.

PLEASE READ THESE INSTRUCTIONS CAREFULLY AND COMPLETELY BEFORE BEGINNING THE SET-UP WORK, OR MAINTENANCE, OF THIS UNIT.

If after reviewing this manual you have any questions, please feel free to consult our factory.



Porter Athletic Equipment Company
601 Mercury Drive, Champaign, IL U.S.A., 61822
Phone: (888) 277-7778 • Fax: (217) 239-2255
www.porterathletic.com



www.porterathletic.com
888-277-7778

**1635 Portable Basketball Backstop
Installation, Operation, and Maintenance Manual
Table of Contents**

ITEM / DESCRIPTION	PAGE No.
Parts List	4
Advisory Information	5
Assembly and Setup	6 - 16

APPENDICES

- A. Floor Anchor Location
- B. Pad Installation Instructions
- C. Sway Brace Details
- D. Operating Procedures
- E. Spring Adjustment
- F. Maintenance
- G. Guarantee

WARNING!

READ THESE ASSEMBLY AND OPERATING INSTRUCTIONS IN THEIR ENTIRETY, BEFORE ATTEMPTING TO UNPACK, ASSEMBLE, OR OPERATE THIS PORTABLE BACKSTOP, TO AVOID POSSIBLE INJURIES, OR DAMAGE TO THE EQUIPMENT.



www.porterathletic.com
888-277-7778

**1635 Portable Basketball Backstop
Installation, Operation, and Maintenance Manual
Parts List**

PARTS LIST				
ITEM NO.	PART NO.	1635-080	1635-108	DESCRIPTION
		QUANTITY	QUANTITY	
1	208	1	1	GLASS BACKBOARD
2	260180	1	1	GOAL
3	SWAY20000	1	1	SWAY BRACE
4	FRME15200C16	2	2	DOCKING TRAY
5	PLTE01895	2	2	CASTER SHIMS
6	MISC00077	2	2	LOCATOR PIN
7	ROPE00125	2	2	LOCATOR PIN CABLE

PARTS LIST (PADDING)				
ITEM NO.	PART NO.	1835-080	1835-108	DESCRIPTION
		QUANTITY	QUANTITY	
8	00326XXX	1	1	BACKBOARD PADDING
9	PAD163501CXX	1	1	UPPER MAST PAD
10	PAD163502CXX	1	1	LOWER MAST PAD
11	PAD113502CXX	1	1	BASE FRONT PAD
12	PAD113504CXX	1	1	LEFT SIDE BASE PAD
13	PAD113505CXX	1	1	RIGHT SIDE BASE PAD
14	PAD163506	1	1	SPRING COVER
15	SHET00127CXX	2	2	FRONT SIDE PANEL COVER
16	SHET00128CXX	2	2	REAR SIDE PANEL COVER
17	1834CXX	OPTIONAL	OPTIONAL	BOOM PAD

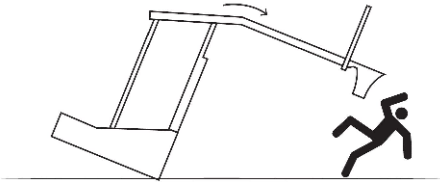
TOOLS REQUIRED:

- | | |
|---------------------------------------|---------------------------|
| 9/16" Wrench | Tape Measure |
| 3/4" Wrench | Level |
| 1-5/8" Wrench | 5/16" Socket (1/4" Drive) |
| Stepladder | 11/16" Drill Bit |
| Portable Drill With Clutch Adjustment | 10mm Allen Wrench |
| Phillips-Head Driver | |

SAFETY INSTRUCTIONS

- Read all instructions before use to avoid injury.
- Improper use of product can result in serious injury and/or property damage.
- Read all product safety labels.
- Keep this instruction manual for future reference.

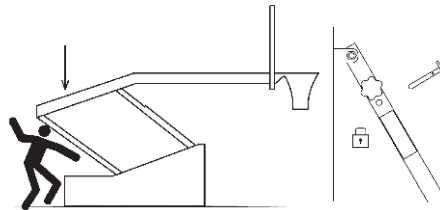
WARNING



- **Unit can tip over if overloaded resulting in severe injury or death.**

- Do not hang, sit, stand, or climb on the goal, backboard, or support structure at any time.
- Ensure the unit is properly anchored before every use. Securing the unit into floor anchors is required before every use and should be done whenever the unit is raised up out of the folded storage position.
- Do not roll the unit unless it is fully lowered in the storage position with the locking pin inserted.
- Ensure the unit is setup by properly trained personnel and used only under supervision. Inspect unit before every use.

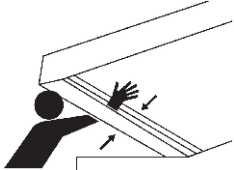
WARNING



- **Unit can collapse during use resulting in severe injury or death.**

- Ensure locking pin is fully engaged through the telescoping brace and locked with a padlock before every use.
- Ensure the unit is setup by properly trained personnel before every use.

WARNING



- **Moving parts of unit can crush or cut causing severe injury or death.**

- Keep body parts safely away from frame whenever raising or lowering unit. Stand to the sides of the unit when raising and lowering.
- Raise and lower the unit slowly and maintain control of the unit at all times.
- Ensure the unit is setup only by trained, adult personnel.

WARNING



- **Casters running over bodily parts can cause severe injury.**

- Keep area in front of unit clear whenever unit is being moved.
- Unit is extremely heavy; move unit slowly and maintain control of the unit at all times.
- Unit should only be moved by trained, adult personnel.

- THE OWNER OF THIS EQUIPMENT IS RESPONSIBLE TO ENSURE THAT ALL INDIVIDUALS FOLLOW THESE SAFETY AND OPERATING INSTRUCTIONS TO AVOID INJURIES OR PROPERTY DAMAGE.

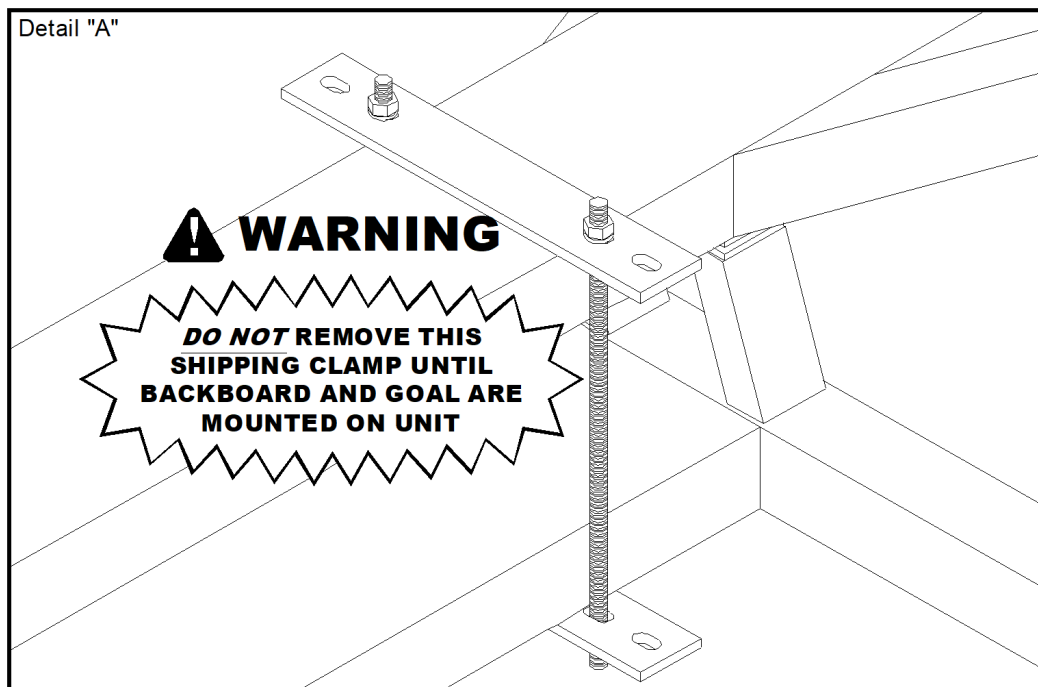
CAUTION

BEFORE rolling this portable backstop onto the finished floor, check with the flooring manufacturer to ensure the finished floor will not be damaged due to the weight of this unit. When fully assembled, this backstop will weigh as much as **3,250 pounds (1475kg)** and will exert high loads on the court floor; optional items (shot clocks, etc.) will result in additional weight. Court flooring should be blocked or reinforced accordingly to accommodate the weight of this unit.

CHECK CASTER WHEELS FOR DEBRIS AS ANY DEBRIS ON WHEELS CAN CAUSE DAMAGE TO COURT FLOOR. ROLL UNIT INTO OPEN SPACE WITH MINIMUM 14' OF CLEARANCE TO CEILING

WARNING

THE SPRING-ACTIVATED MECHANISM ON THIS BACKSTOP MAY BE EXTREMELY DANGEROUS IF THESE ASSEMBLY INSTRUCTIONS AND OPERATION PROCEDURES ARE NOT FOLLOWED STEP-BY-STEP. **UNDER NO CIRCUMSTANCES SHOULD THE SHIPPING CLAMP (SEE DETAIL "A" BELOW) BE REMOVED BEFORE THE BACKBOARD, GOAL AND BACKBOARD SWAY BRACES ARE ASSEMBLED TO THE UNIT. FAILURE TO FOLLOW THIS PROCEDURE COULD RESULT IN PROPERTY DAMAGE, INJURIES, OR EVEN DEATH.** A MINIMUM OF TWO, AND PREFERABLY THREE, INDIVIDUALS (TO HOLD AND MOUNT BACKBOARD) ARE REQUIRED, FOR PROPER AND SAFE ASSEMBLY OF THIS UNIT.



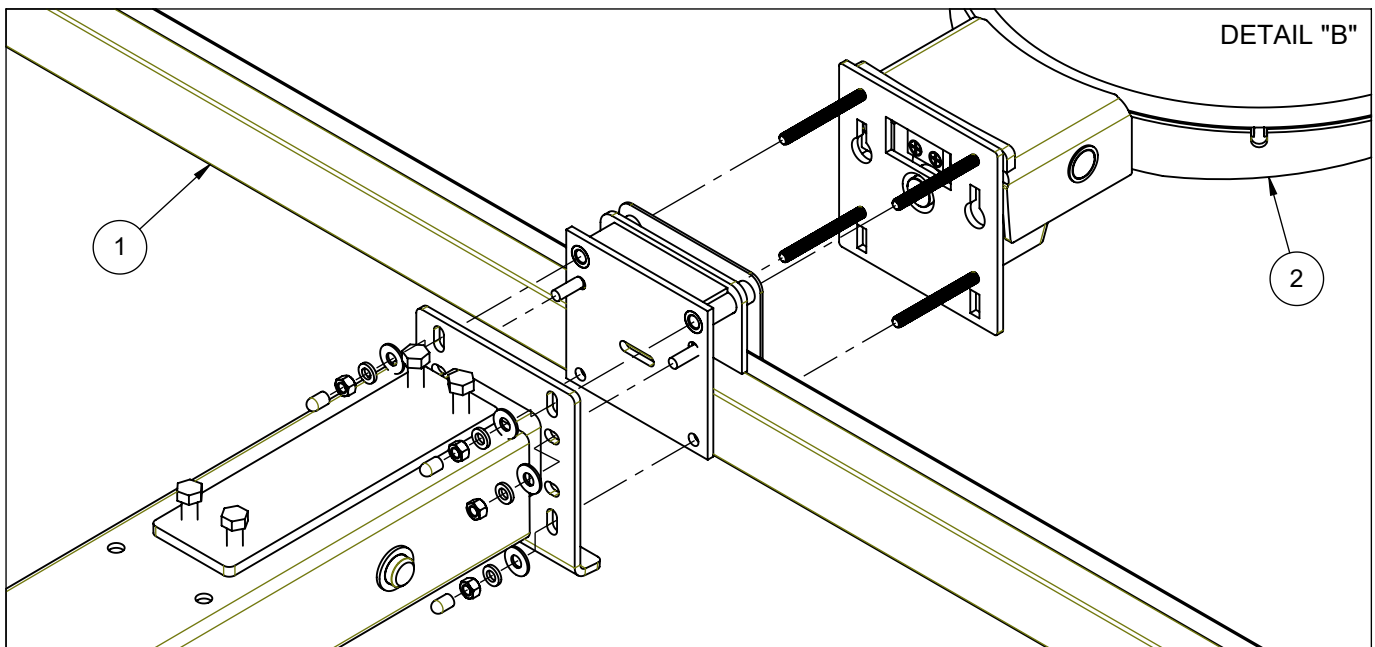
⚠ NOTE

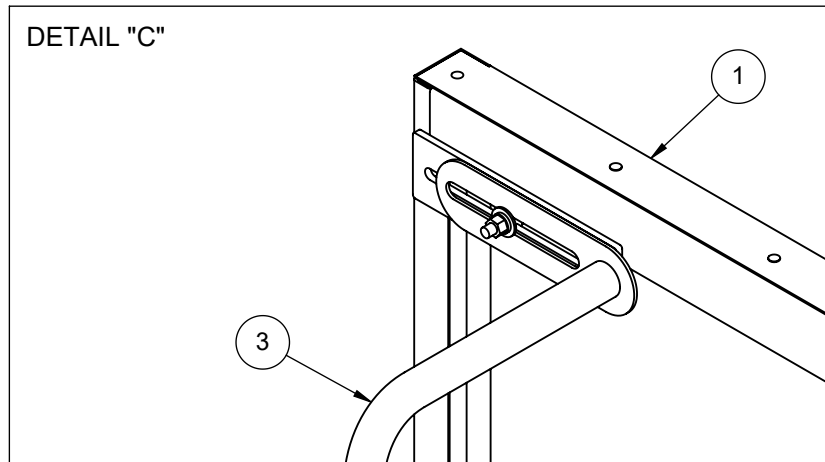
CAUTION - DURING ASSEMBLY OF THIS BACKSTOP, IT IS OF EXTREME IMPORTANCE THAT THE BACKBOARD IS NOT DROPPED, IMPROPERLY TORQUED (BOLTS TIGHTENED BEFORE PLUMBING ALL ATTACHMENT POINTS), OR THE GLASS SECTION BE ALLOWED TO CONTACT OR STRIKE METAL PARTS. THE WARRANTY DOES NOT COVER BREAKAGE DURING INSTALLATION.

1. Unpack and identify all parts (refer to Parts List on page 4).

BACKBOARD ASSEMBLY:

2. Position the unpacked glass backboard (#1) on its cardboard packing carton in front of portable backstop frame assembly (#4). Remove two 3/8" x 1-1/4" long carriage bolts, 3/8" flat washers, 3/8" lock washers, and 3/8" hex nuts from back of glass backboard.
3. It is recommended that at least three adults perform this step. Insert two 3/8" x 1-1/4" carriage bolts through the middle slot on either side of the backboard mounting plate. Carefully lift backboard (#1) and position so that middle backboard mounting slots are in alignment with the corresponding holes on the backstop mounting plate. See Detail "B".
4. While backboard is in this position, secure in place using two (2) 3/8" flat washers, 3/8" lock washers, and 3/8" hex nuts onto each 3/8" x 1-1/4" carriage bolt. Snug tighten only.





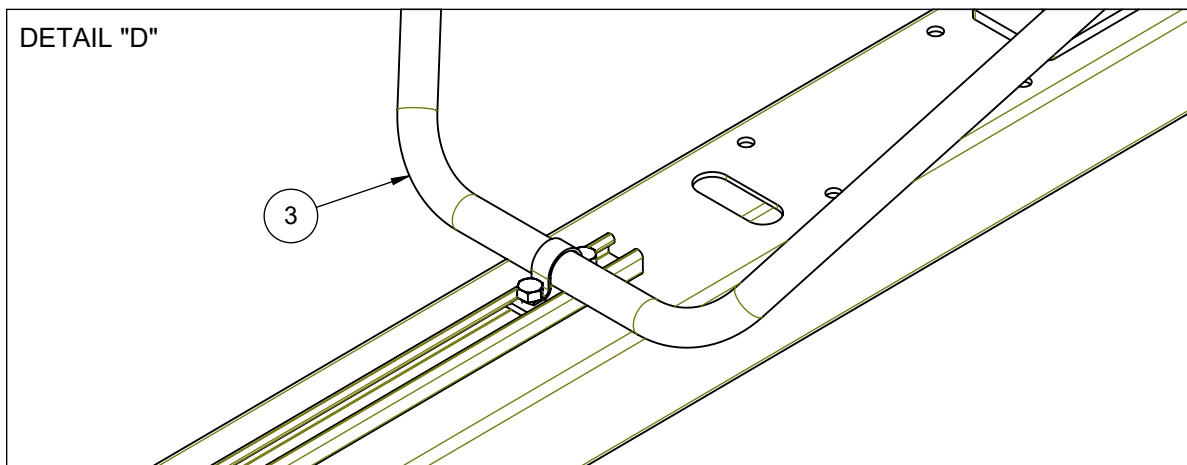
GOAL ASSEMBLY:

5. You are now ready to mount the goal. Carefully hold the goal (#2) against the face plate of the backboard (#1) and insert the four (4) 3/8" x 3-1/2" lg. carriage bolts through the goal, backboard, and the backstop mounting plate (refer back to Detail "B"). Backboard may have to be shifted slightly for proper alignment. Secure with four (4) 3/8" flat washers, 3/8" lock washers, and 3/8" hex nuts on backside of mounting plate; snug tighten only. Place rubber cap on back of each carriage bolt. See Detail "B".

SWAY BRACE ASSEMBLY:

6. Attach the formed swaybrace (#3) to the slotted plates in the upper corners of the glass backboard using two (2) 3/8" x 1-1/4" long carriage bolts, 3/8" flat washers, 3/8" lock washers, and 3/8" hex nuts. Finger tighten only (see Detail "C").

7. Attach back of swaybrace (#3) to the horizontal extension assembly (see Detail "D") using one (1) u-clamp, two (2) 3/8" lock washers, and two (2) 3/8"-16 unistrut nuts. Finger tighten only.





www.porterathletic.com
888-277-7778

1635 Portable Basketball Backstop Installation, Operation, and Maintenance Manual Assembly & Setup

Backboard Padding:

8. Install backboard padding (#6) to the backboard frame per the installation instructions packed with the backboard padding.

NOTE:

REMOVE SHIPPING CLAMP AT THIS TIME

Check Folding Cycle:

9. Keeping all individuals clear from beneath the backstop (front and back), from the side carefully loosen threaded rods and remove shipping clamps.

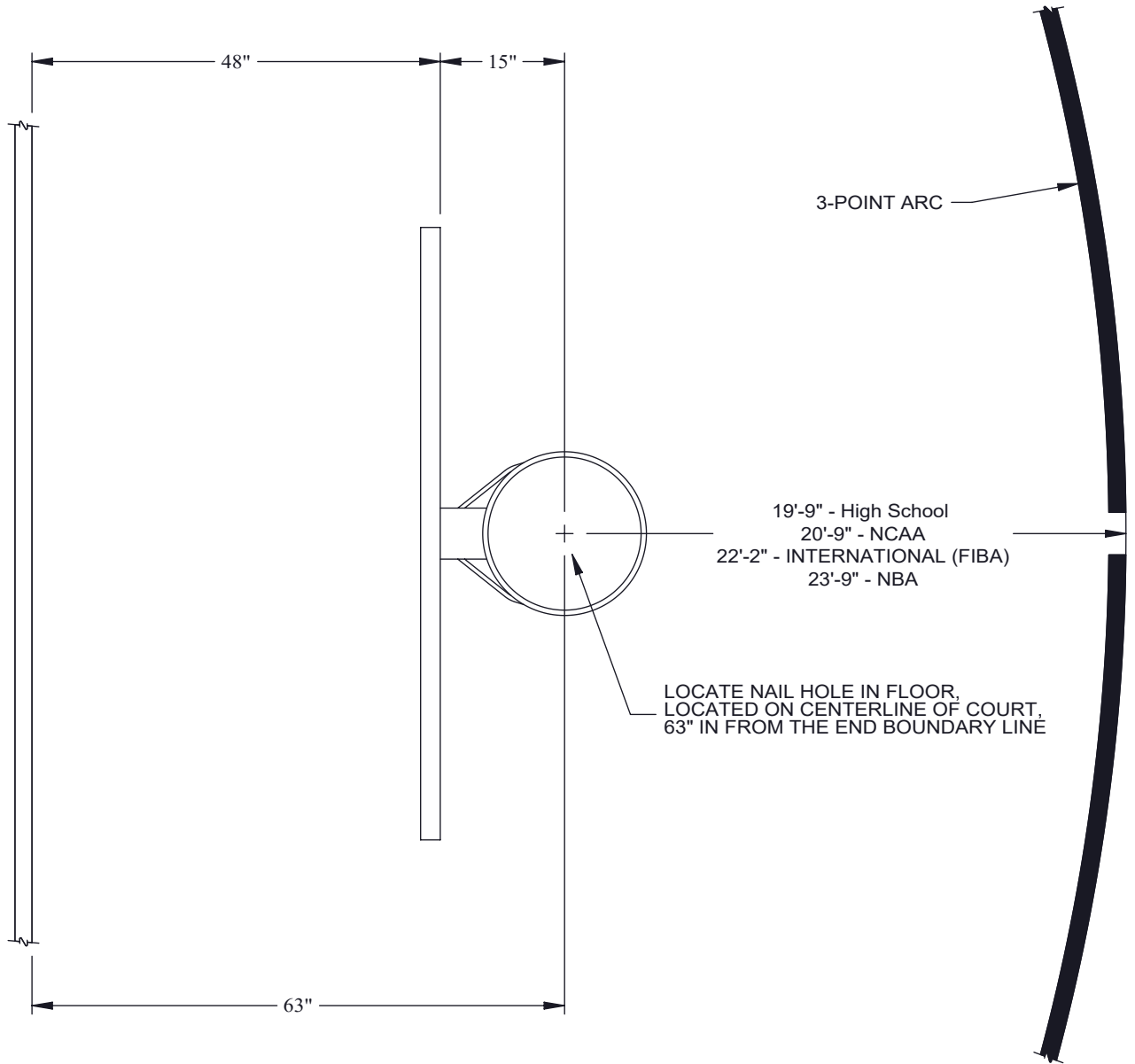
10. Remove the padlock and locking pin from the telescoping brace; also loosen the pressure lock handwheel. Keeping all individuals clear from beneath the backstop (front and back), stand to one side of the rear of the base. Grasp the handle on the rear vertical support and slowly lift backstop into playing position.

CAUTION- WHEN RAISING THIS BACKSTOP INTO THE PLAYING POSITION, OR LOWERING THIS BACKSTOP INTO THE STORAGE POSITION, OPERATE BACKSTOP SLOWLY TO AVOID TIPPING OR DAMAGE TO THE STRUCTURE. OPERATE UNIT UP AND DOWN SEVERAL TIMES TO CHECK OPERATION. NEVER MOVE THE BACKSTOP FROM PLACE TO PLACE UNLESS THE BACKSTOP IS IN THE LOCKED-DOWN STORAGE POSITION!

11. With the backstop locked in the down, folded, storage position, roll the backstop into the approximate playing position on the basketball court.

12. Raise the backstop to the playing position and align the face of the backboard parallel to and 4'-0" in from the inside edge of the 2" wide court line.

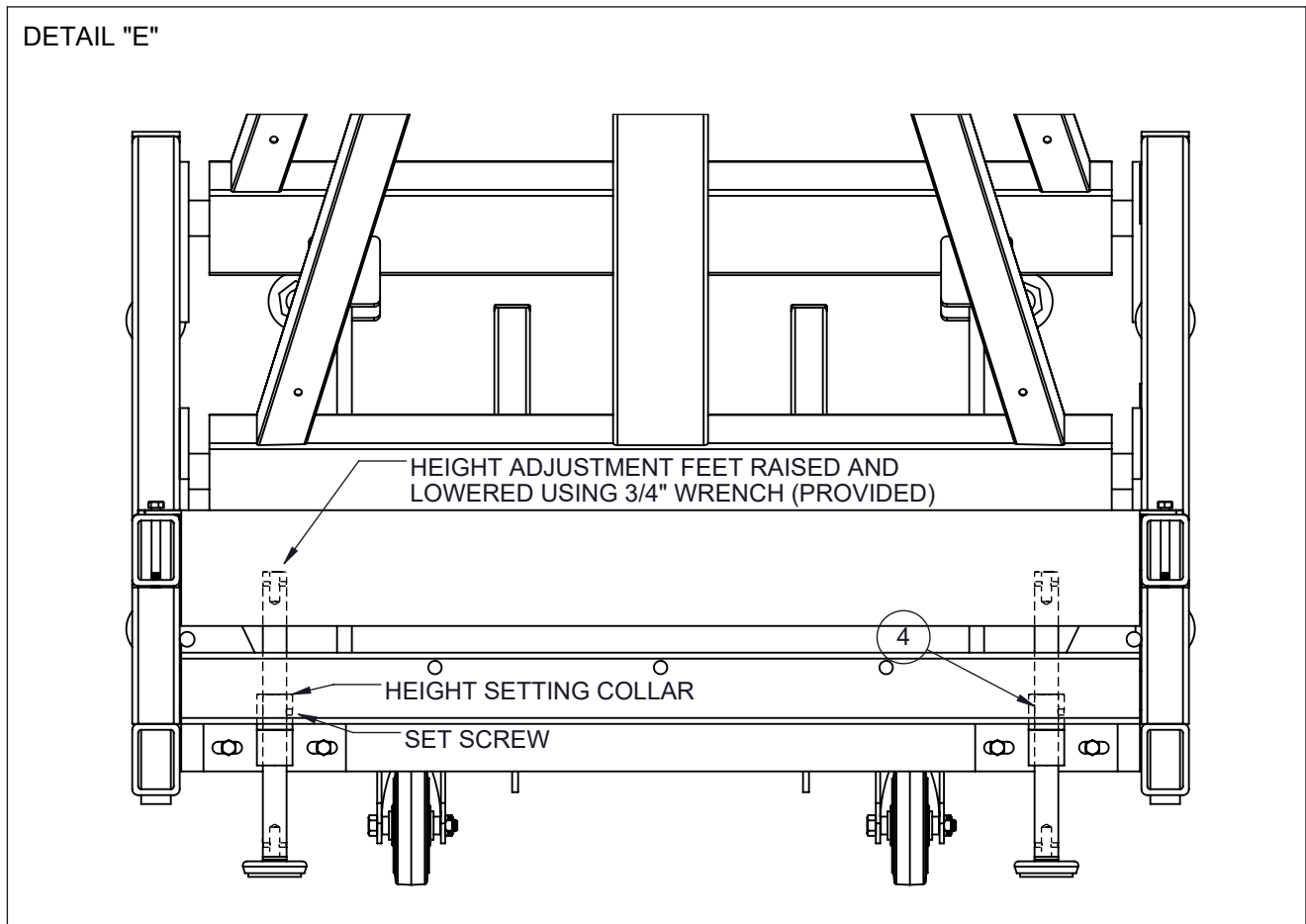
LOCATING PORTABLE BACKSTOPS ON PLAYING FLOOR

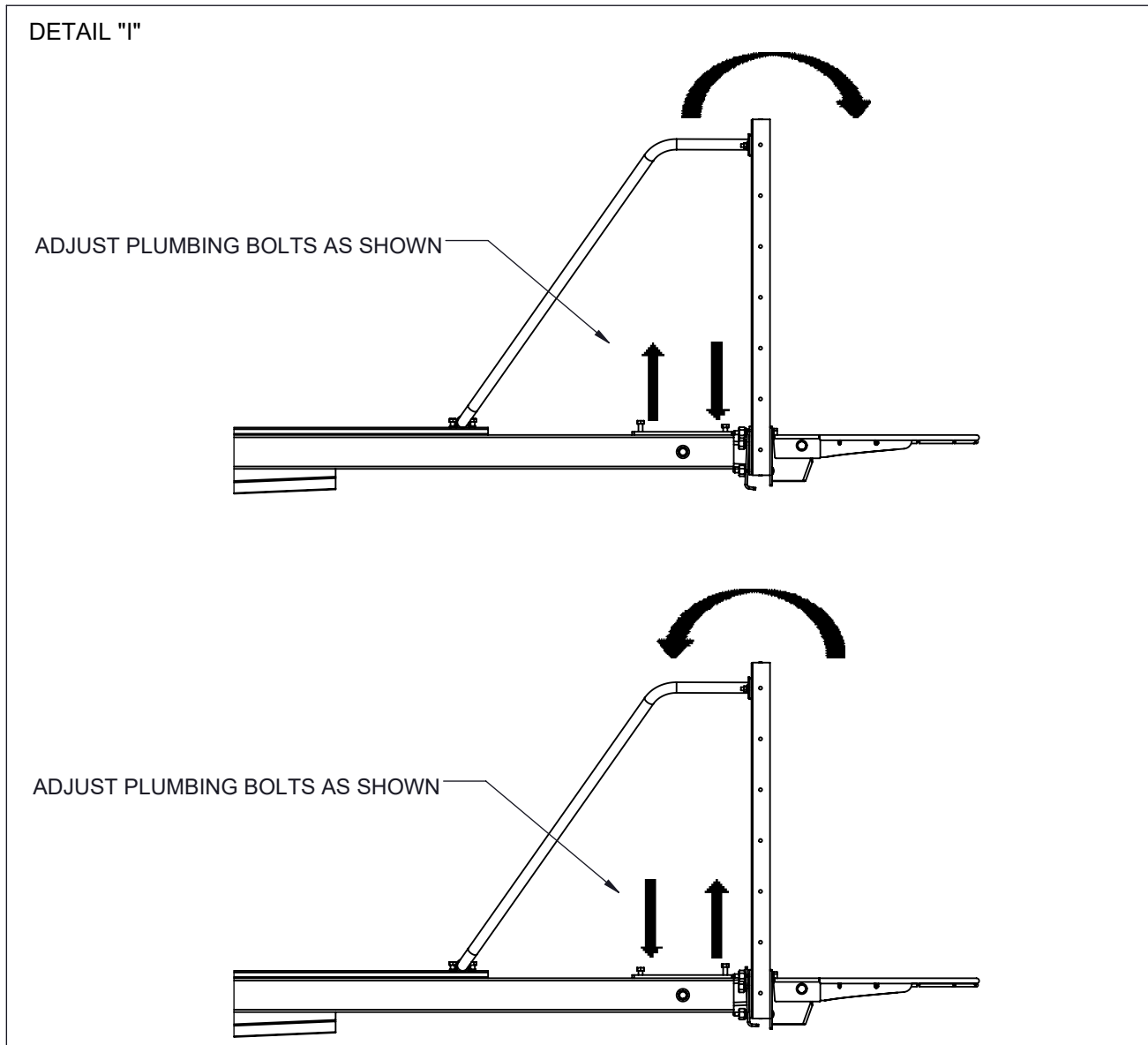


TO PROPERLY LOCATE A PORTABLE UNIT ON THE PLAYING FLOOR, DROP A PLUMB LINE FROM THE EXACT CENTER OF THE GOAL AND POSITION UNIT TO ALIGN WITH NAIL HOLE ON FLOOR. SHIFT BASE FROM SIDE TO SIDE AS REQUIRED TO CENTER ON COURT.

Lower Height Adjustment Feet:

13. Loosen the set screw holding the height setting collar in place; refer to Detail "E" below. Using the provided 3/4" ratcheting wrench, lower the height adjustment feet equally until the goal is at a height of 10'-0" from the playing surface.





14. BACKBOARD PLUMB-ADJUSTMENT:

With the unit in the 10' raised position and with the swaybrace hardware loosened, the backboard can be tilted forward and backboard by adjusting the two (2) 1/2"-13 hex head bolts (plumbing bolts) that are located just behind the backboard in the horizontal extension arm. Place a level on the front face of the backboard and adjust the backboard into plumb. Next, place the level across the top of the backboard and level the backboard. Repeat process to level and plumb the goal. Recheck the goal height for 10' and adjust height adjustment feet as-needed. Adjusting height adjustment feet and plumbing the backboard may need to be done multiple times before the goal is at 10' and the backboard is plumb. Once set properly, tighten down all hardware for the swaybrace, backboard, and goal. The height setting collar on the height adjustment feet should be lowered and the set screw tightened so that the unit is always raised to the same height (when the height setting collar bottoms out and the height setting feet can no longer be lowered, you know the unit is at the correct height).

15. If the floor anchors are not yet installed, they should be installed at this time. Follow either the docking tray installation instructions below if docking trays WILL be used OR the standard installation instructions below if docking trays WILL NOT be used.

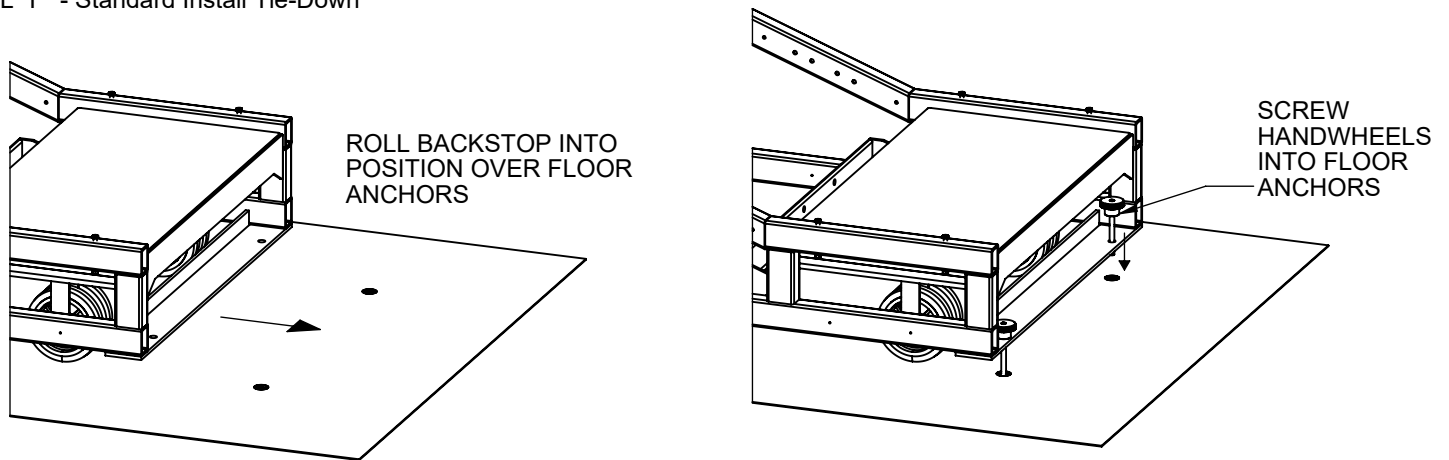
Standard Installation:

Install the anchors in the locations denoted on the first page of Appendix A - Floor Layout for Standard Installation of this instruction; follow the installation instructions provided with the floor anchors (INST00024). Once the floor anchors are installed, ensure the rear of the unit is tied down to the floor anchors using the tie down knobs provided (#5). Place the tie down knobs through the rear frame plate and thread into the floor anchors until the handle of the tie down knob is snug against the base frame plate; do not overtighten (see Detail "F" below).

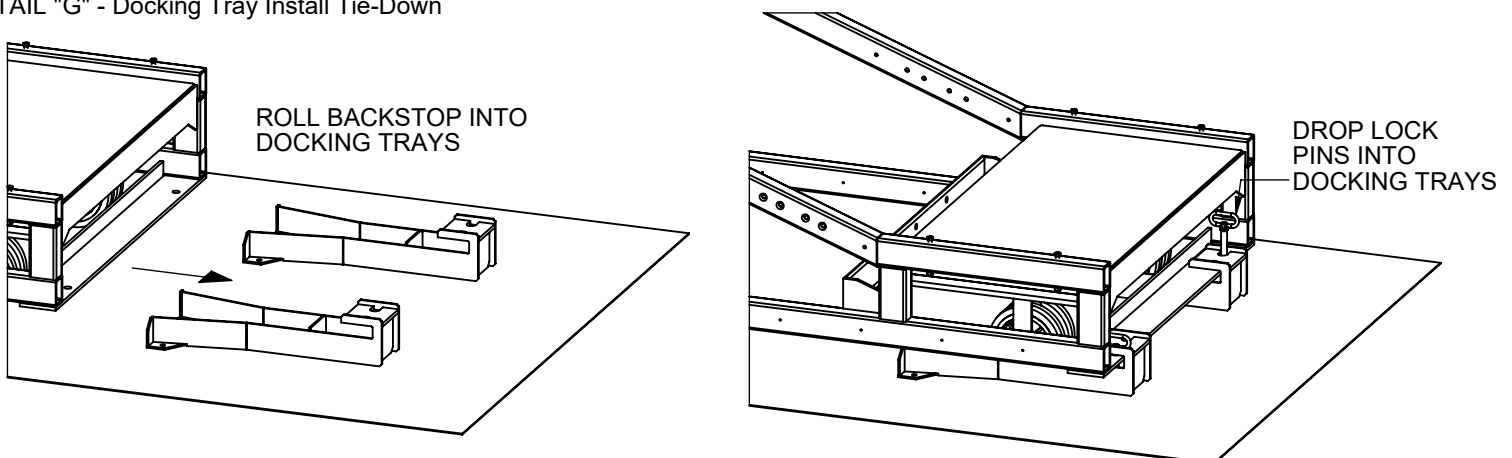
Docking Tray Installation:

Install the anchors in the locations denoted on the second page of Appendix A - Floor Layout for Docking Tray Installation of this instruction; follow the installation instructions provided with the floor anchors (INST00024). Once the floor anchors are installed, install the docking trays following the installation instructions provided with the docking trays and found in Appendix C of this instruction manual. Once the docking trays are installed, roll the backstop into the docking trays and drop the locking pin through the docking tray and rear frame plate (see Detail "G" below).

DETAIL "F" - Standard Install Tie-Down



DETAIL "G" - Docking Tray Install Tie-Down



Padding:

Install all frame padding per the padding assembly instructions found in Appendix C. Ensure all padding is properly secured and in-place before any use of the backstop.

Backboard Padding:

Install backboard padding (#8) to the backboard frame per the installation instructions packed with the backboard padding.

Final Inspection:

Touch up any scratches that may have occurred during shipping or assembly with touch-up paint.

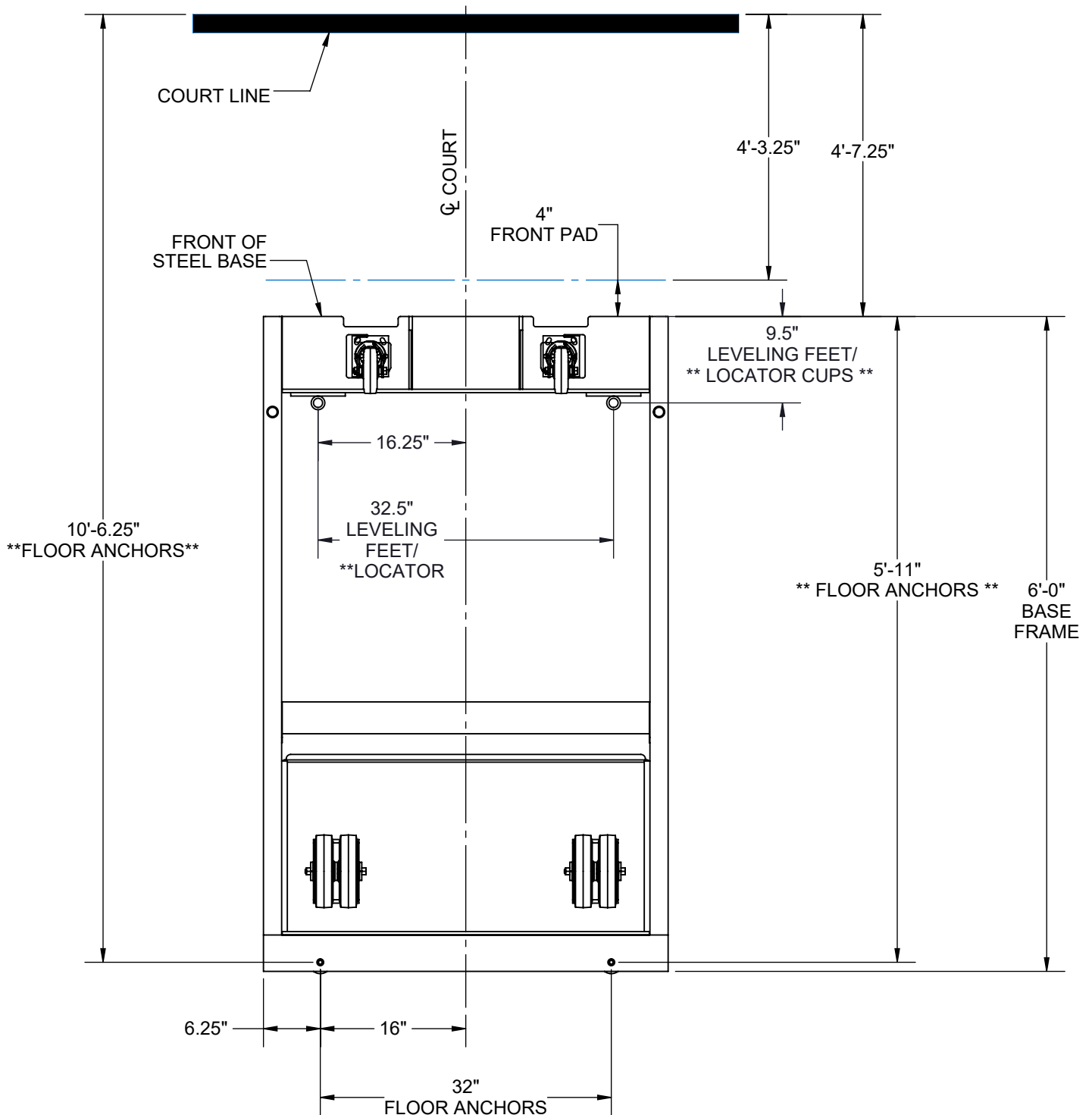
The assembly of this backstop is now complete.

IMPORTANT - UPON FINAL SET-UP OF THIS BACKSTOP, SHOW THE INDIVIDUAL(S) WHO WILL OPERATE THIS BACKSTOP HOW TO PROPERLY OPERATE THIS BACKSTOP. READ THE WARNING LABELS TO THEM, EXPLAINING THE IMPORTANCE OF FOLLOWING SAFE OPERATING PROCEDURES. THIS INSTRUCTION MANUAL MUST BE GIVEN TO AN OFFICIAL IN CHARGE OF THE FACILITY FOR FUTURE REFERENCE.

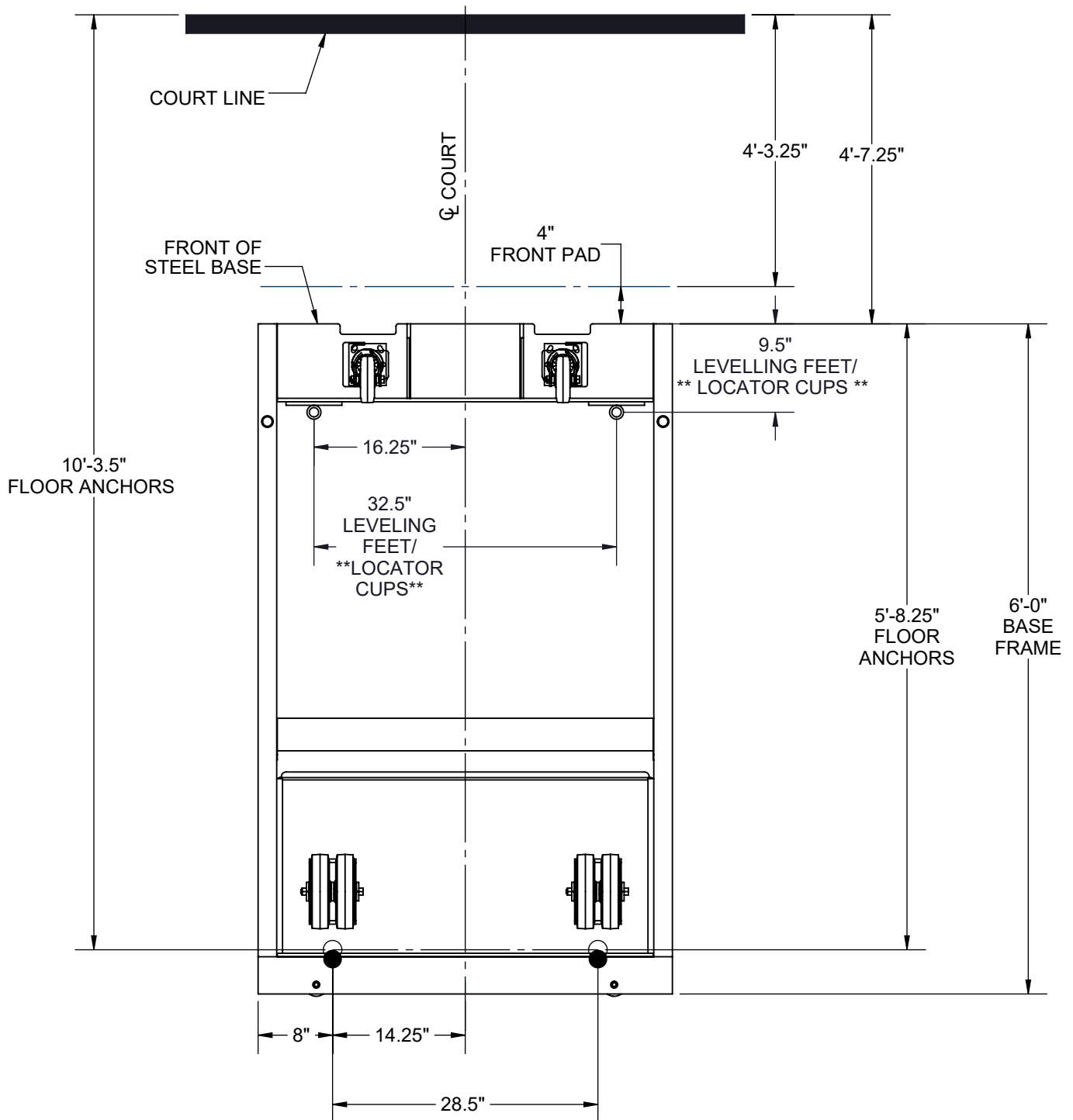
THIS BACKSTOP MUST BE OPERATED ONLY BY AUTHORIZED PERSONNEL FAMILIAR WITH THE SAFE OPERATING INSTRUCTIONS AND PROCEDURES. THIS EQUIPMENT SHOULD BE INSPECTED BEFORE EACH USE FOR WEAR, LOOSE FITTINGS, DAMAGE AND PROPER STABILITY. CONSULT A TRAINED SERVICE TECHNICIAN OR THE FACTORY WHEN IN DOUBT.

WARNING

SINCE THE FOLDING ACTION OF THIS BACKSTOP IS SPRING-ASSISTED, A POTENTIAL HAZARD EXISTS IF PROPER SAFETY PRECAUTIONS ARE NOT FOLLOWED. WHEN REMOVING OR REPLACING THE BACKBOARD ON THIS BACKSTOP, THE TELESCOPING BRACE MUST BE PINNED AND LOCKED IN POSITION TO PREVENT THE BACKSTOP FROM SUDDENLY SPRINGING TO THE UP POSITION. THIS COULD RESULT IN SEVERE INJURIES OR EVEN DEATH. CONSULT THE MANUFACTURER WHEN IN DOUBT.



**** NOTE **:** IT IS RECOMMENDED THAT HOLES FOR THE FLOOR ANCHORS AND HOLES FOR THE LOCATOR CUPS (IF APPLICABLE) NOT BE DRILLED UNTIL THEIR LOCATIONS CAN BE VERIFIED WITH THE UNIT IN THE FINAL PLAYING LOCATION ON THE COURT. WITH THE UNIT IN POSITION, MARK THE HOLE LOCATIONS, ROLE THE UNIT TO THE SIDE, THEN DRILL INTO THE COURT.



**** NOTE **:** IT IS RECOMMENDED THAT HOLES FOR THE LOCATOR CUPS (IF APPLICABLE) NOT BE DRILLED UNTIL THEIR LOCATIONS CAN BE VERIFIED WITH THE UNIT IN THE FINAL PLAYING LOCATION ON THE COURT. WITH THE UNIT IN POSITION, MARK THE HOLE LOCATIONS, ROLE THE UNIT TO THE SIDE, THEN DRILL INTO THE COURT.

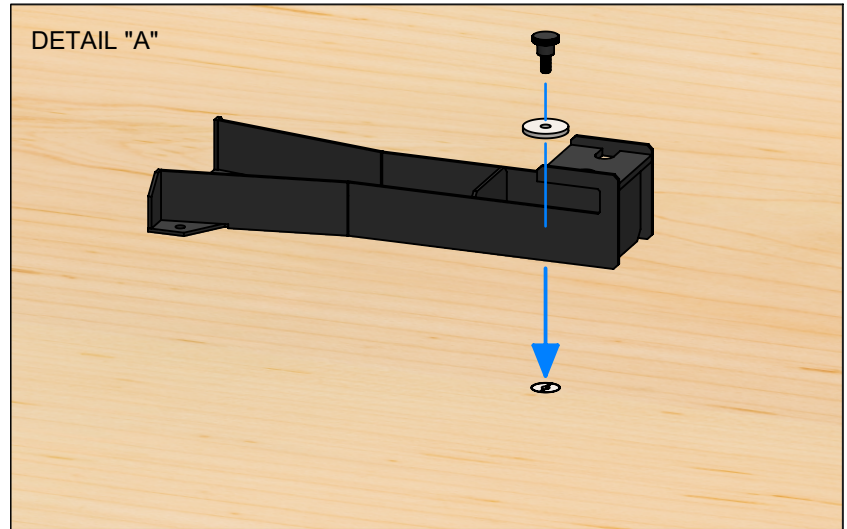
TOOLS NEEDED:

- Marker
- Drill
- 11/16" Drill Bit
- 10MM Allen Wrench

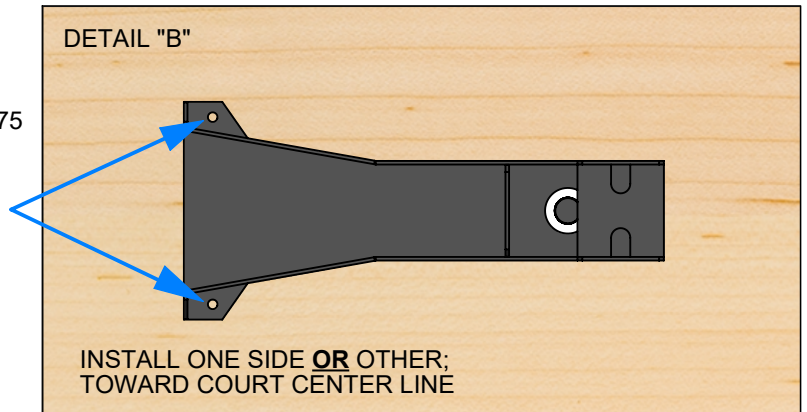
INSTALLATION PROCEDURE:

1) Ensure floor anchors have been installed in the proper location according to the 1635 backstop floor diagram. The floor anchors should be installed per their instructions, INST00024.

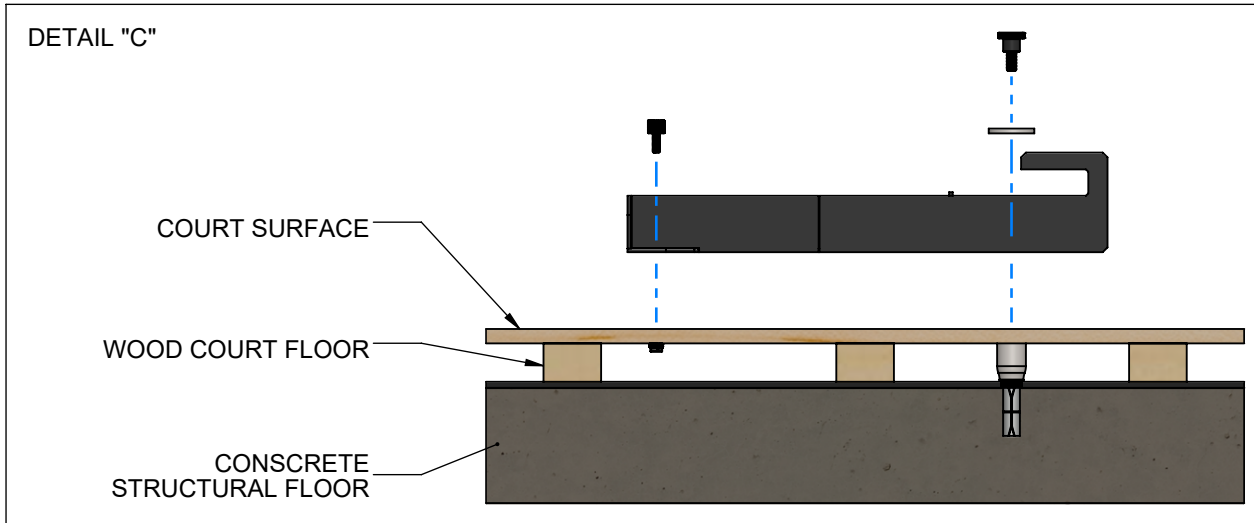
2) With the floor anchors installed, set the docking tray over the floor anchor such that the rear center hole in the docking tray base lines up over the floor anchor (refer to Detail "A" above). Place the large thumbscrew through the docking tray frame and screw it down into the floor anchor with the docking tray parallel to the court center line.



HDWE06275



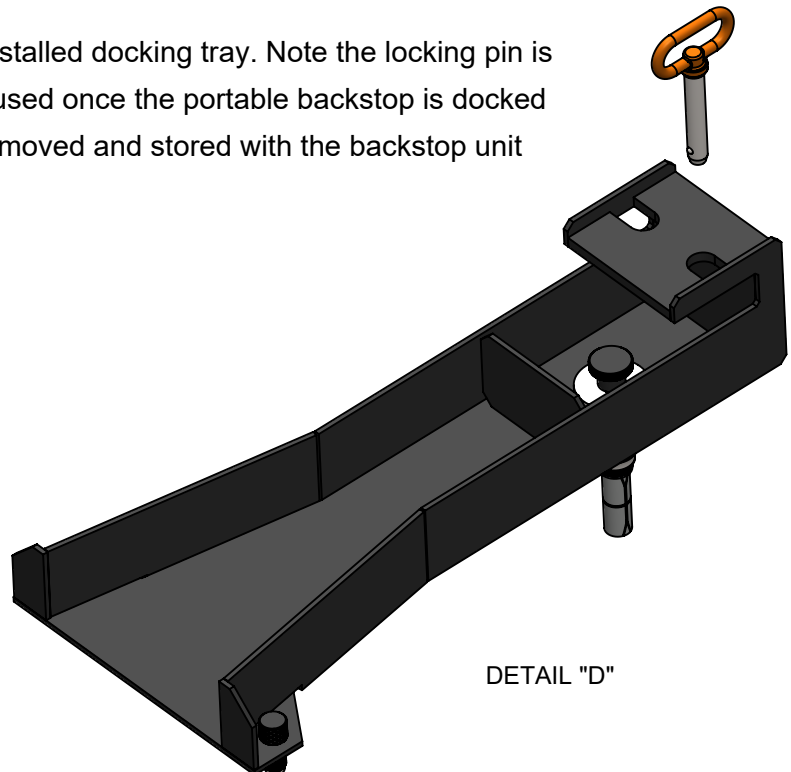
3) With the unit anchored into position as shown in Detail "B", use a marker to mark the hole center for the front-end floor insert (HDWE06275). Note, only one floor insert is needed per docking tray, so mark only the inner hole nearest the court center line. Remove and set the docking tray aside. Using an 11/16" drill bit, drill a hole at the marked hole center. Then, using a 10mm Allen wrench, carefully thread the floor insert into the hole being cautious not to damage the court surface.

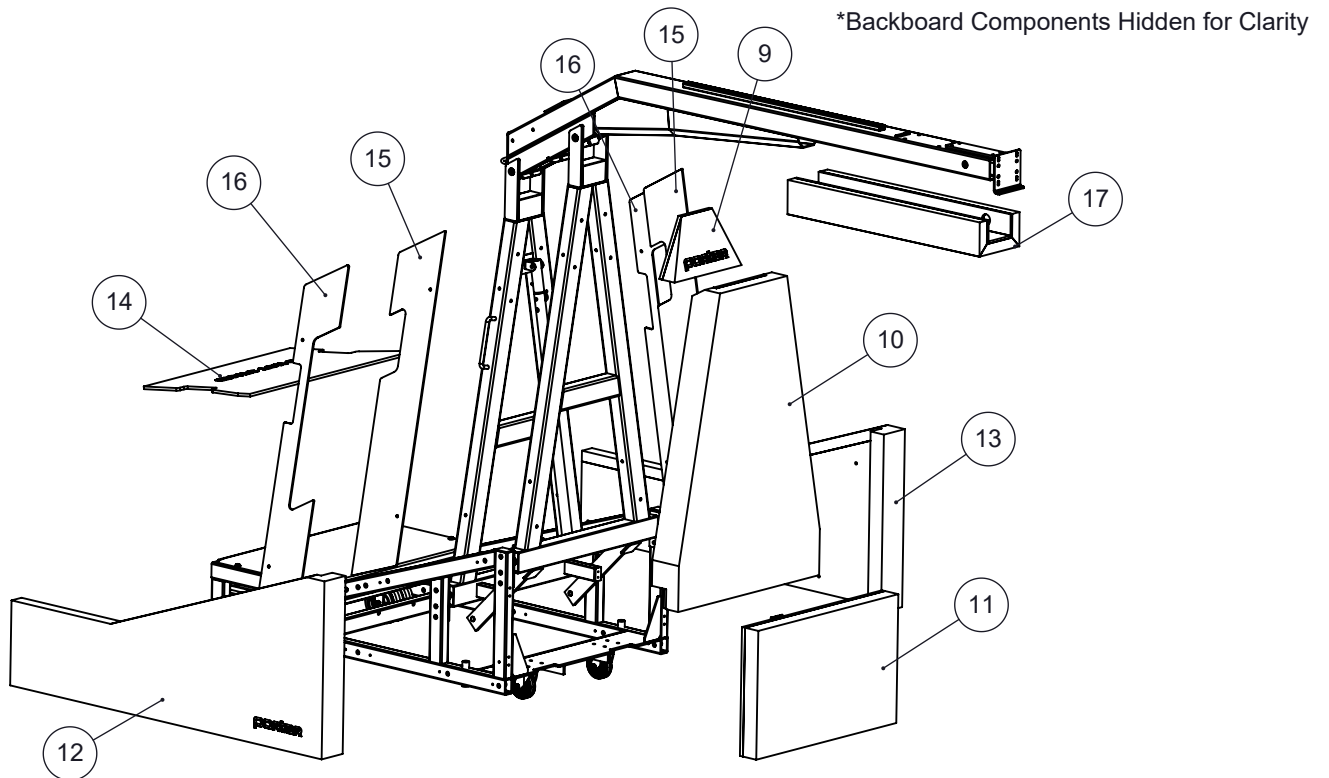
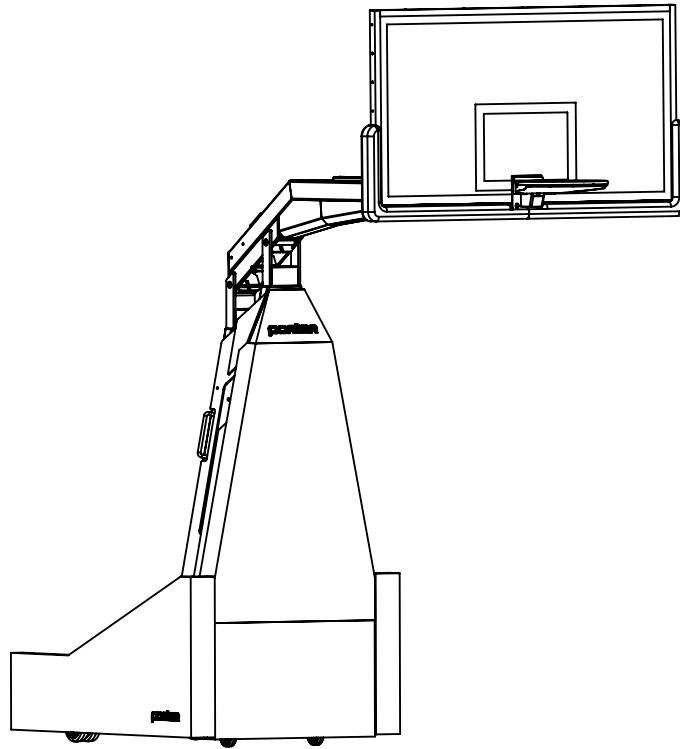


4) Repeat these steps for both docking trays (each backstop requires two docking trays, one for each rear caster).

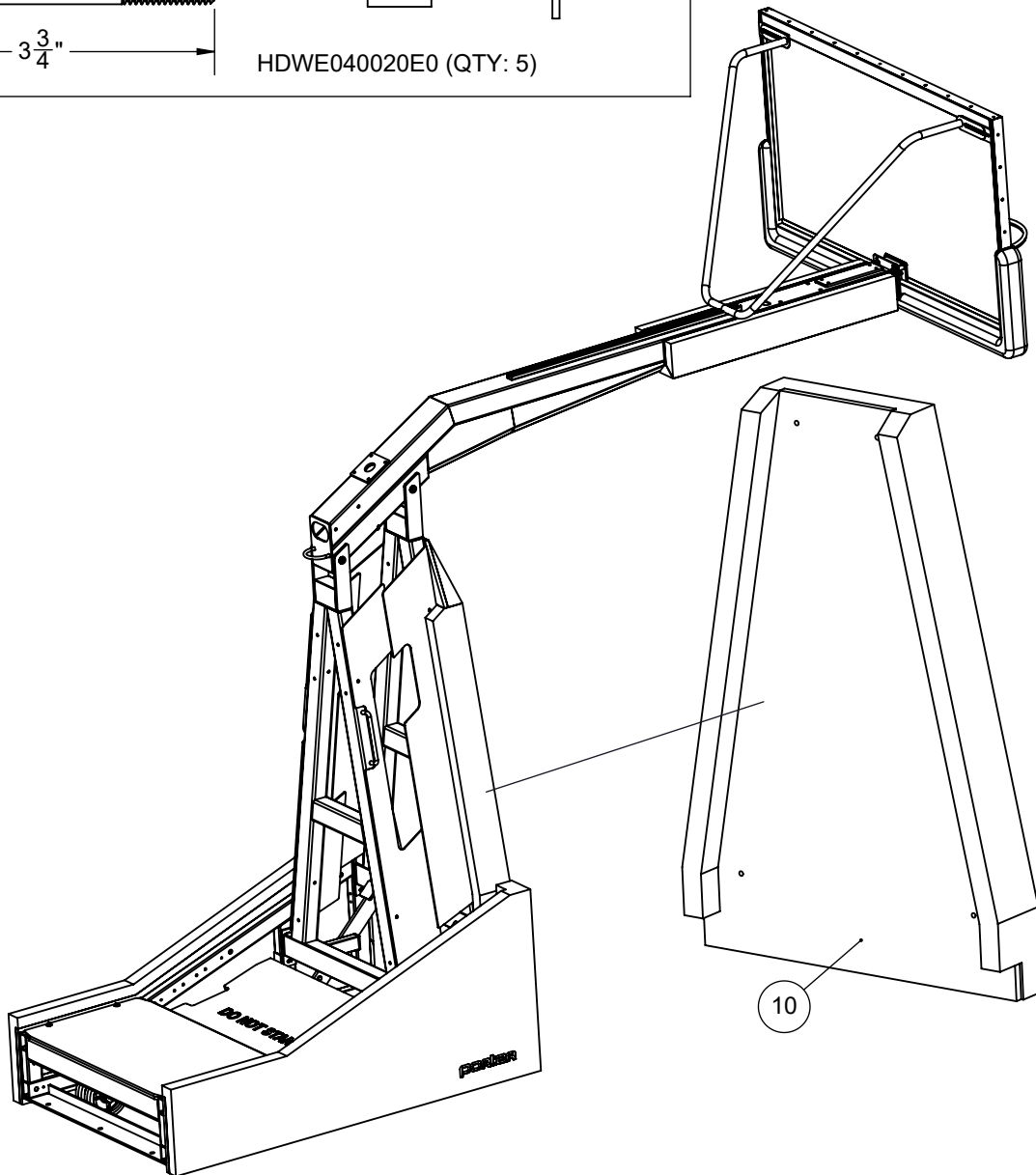
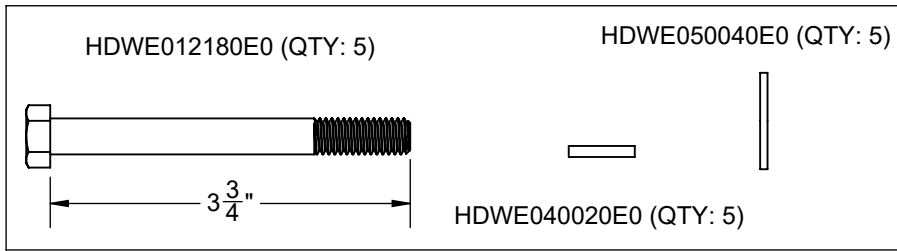
Detail "C" shows a side view of the docking tray installation with the large thumbscrew threading through the large washer and docking tray into the floor anchor. The small thumbscrew threads through the docking tray into the floor insert.

Detail "D" below shows another view of the installed docking tray. Note the locking pin is not attached to the docking tray but rather is used once the portable backstop is docked into the docking tray. Docking trays can be removed and stored with the backstop unit when the backstop is stored off the court.

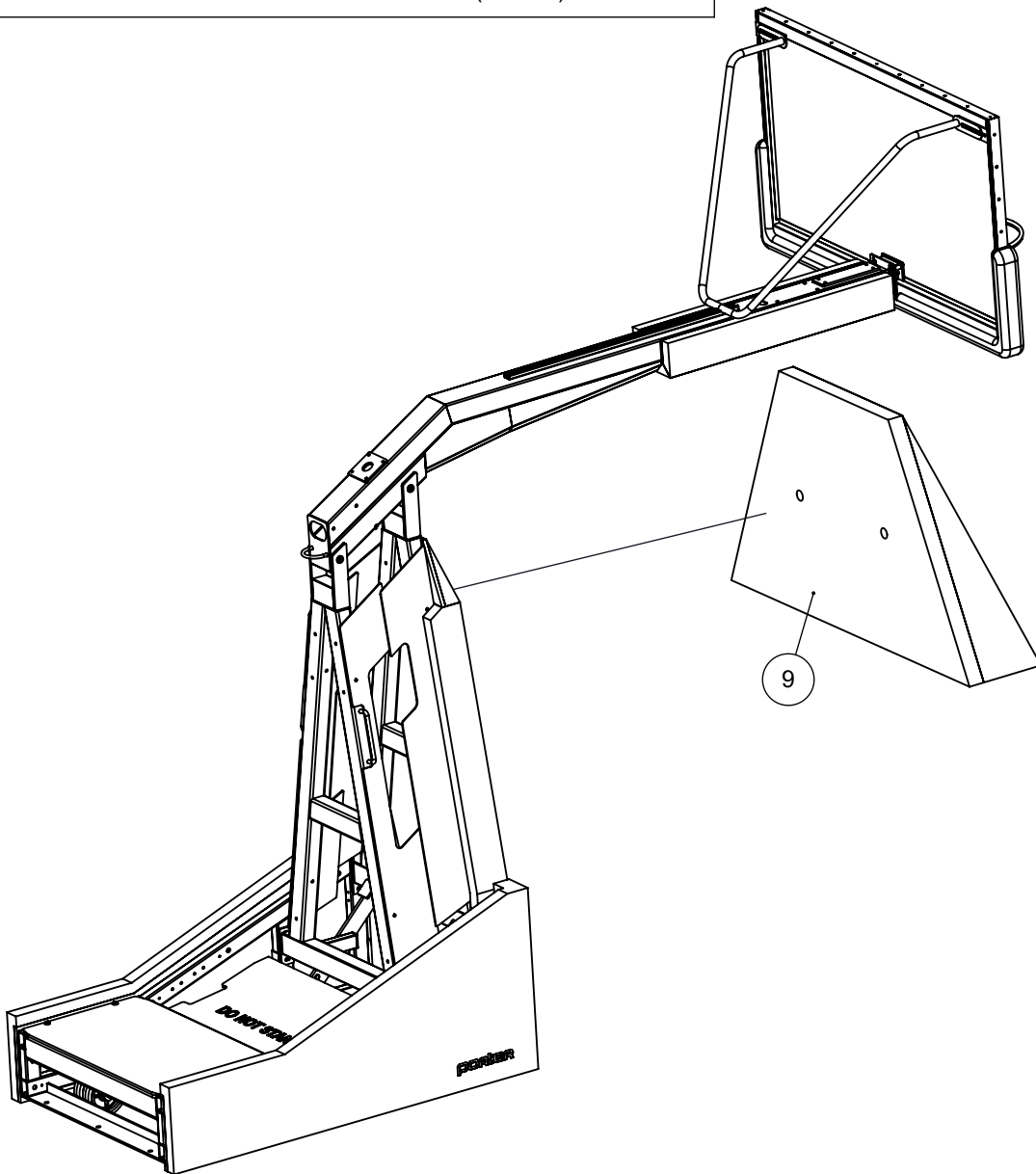
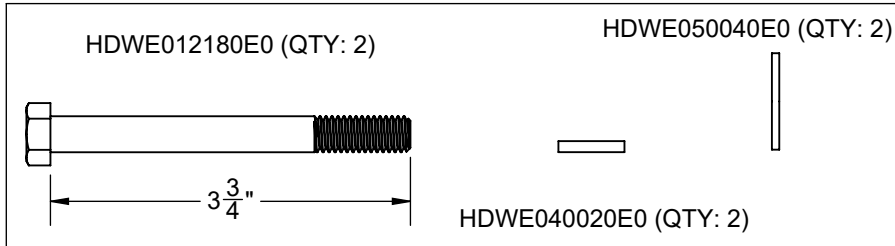




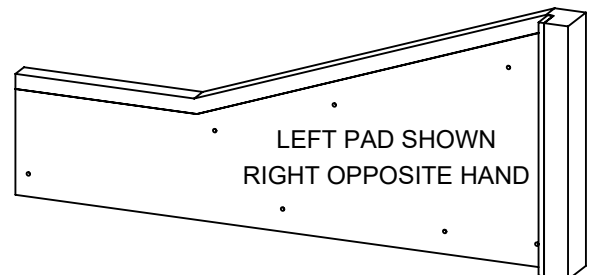
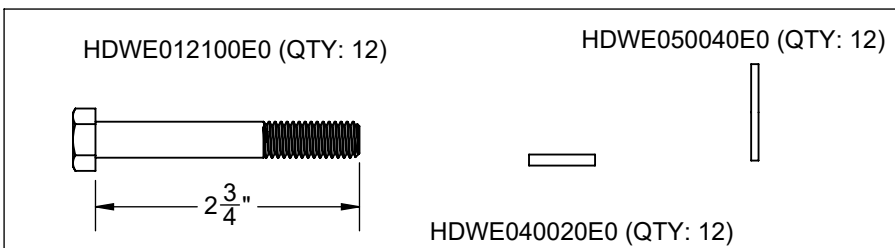
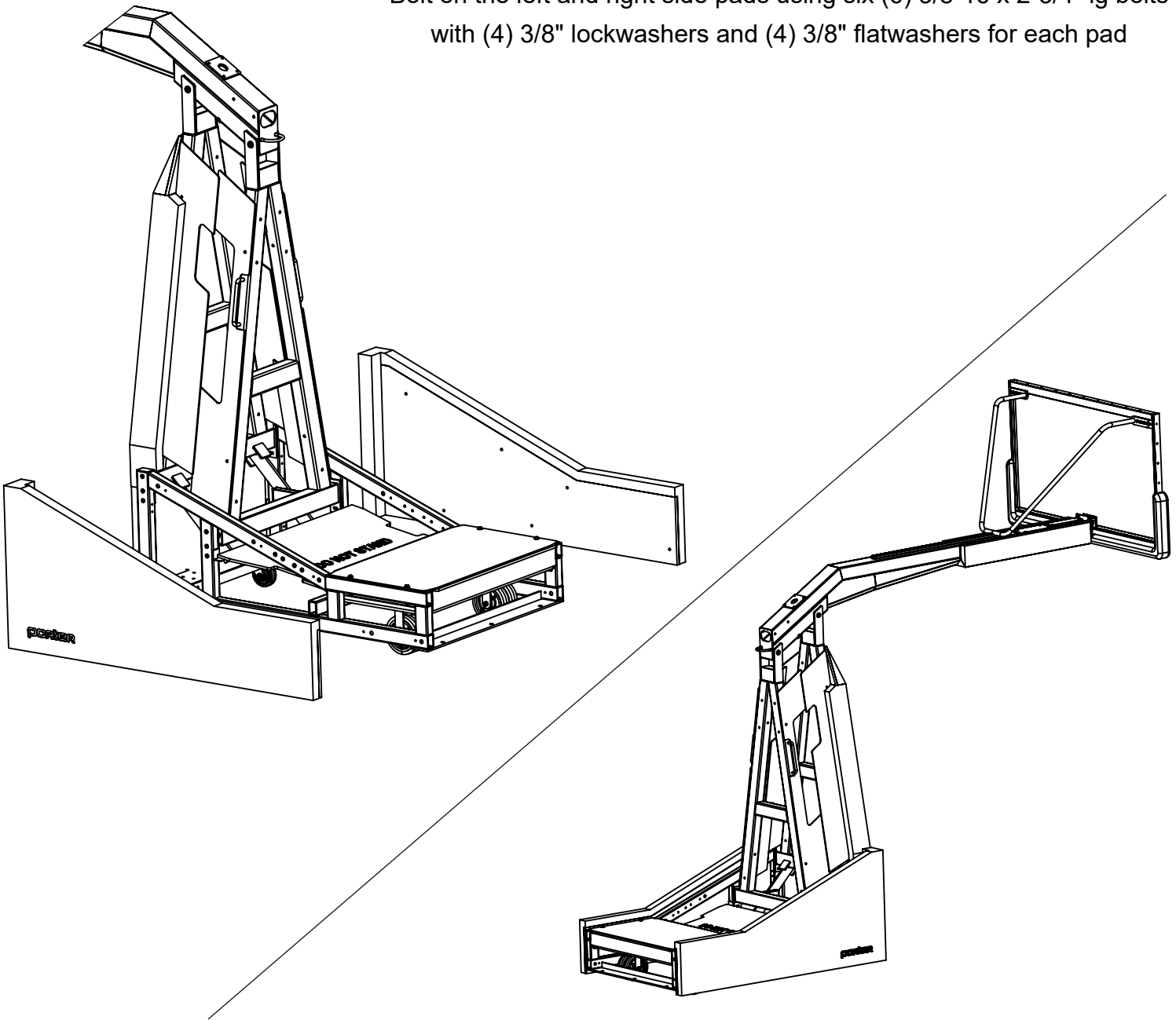
Bolt on the lower mast pad using five (5) 3/8-16 x 3-3/4" lg bolts with
(5) 3/8" lockwashers and (5) 3/8" flatwashers



Bolt on the upper mast pad using two (2) 3/8-16 x 3-3/4" lg bolts with
(2) 3/8" lockwashers and (2) 3/8" flatwashers

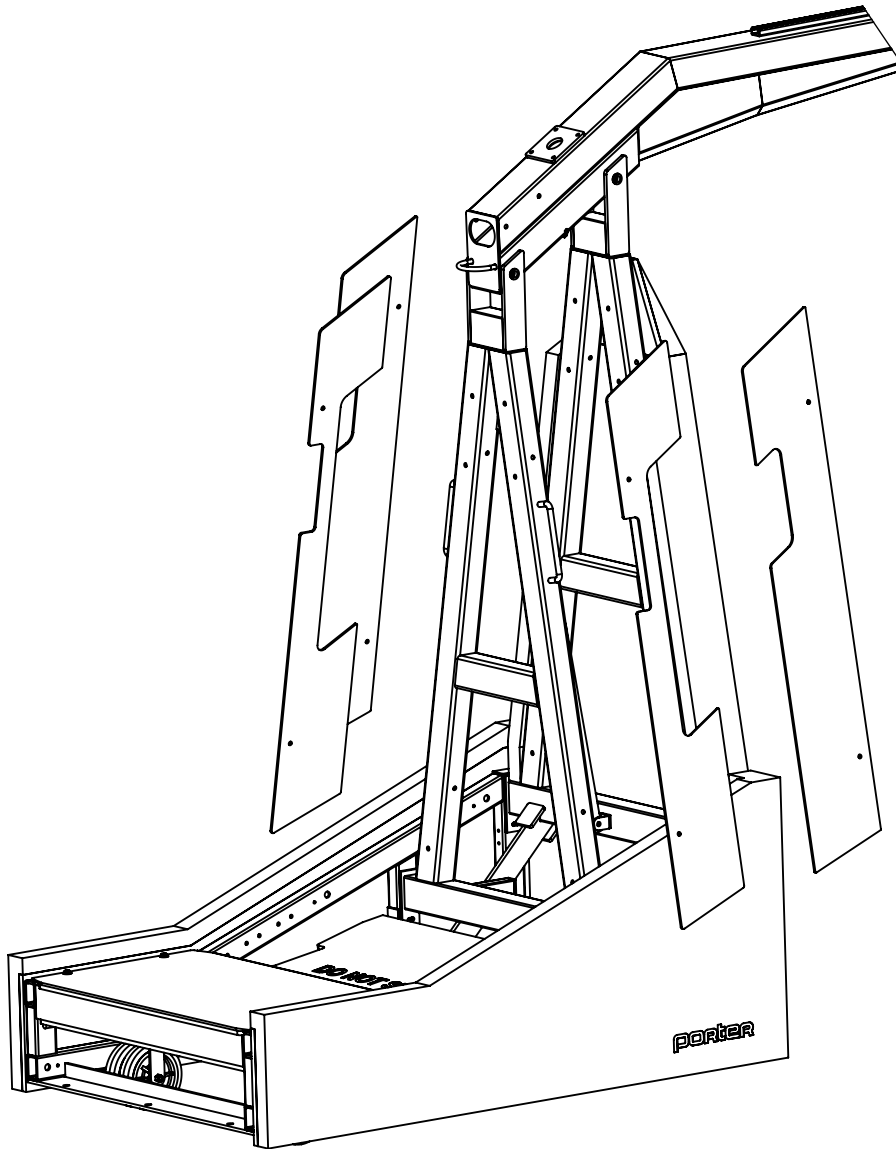


Bolt on the left and right side pads using six (6) 3/8-16 x 2-3/4" lg bolts with (4) 3/8" lockwashers and (4) 3/8" flatwashers for each pad

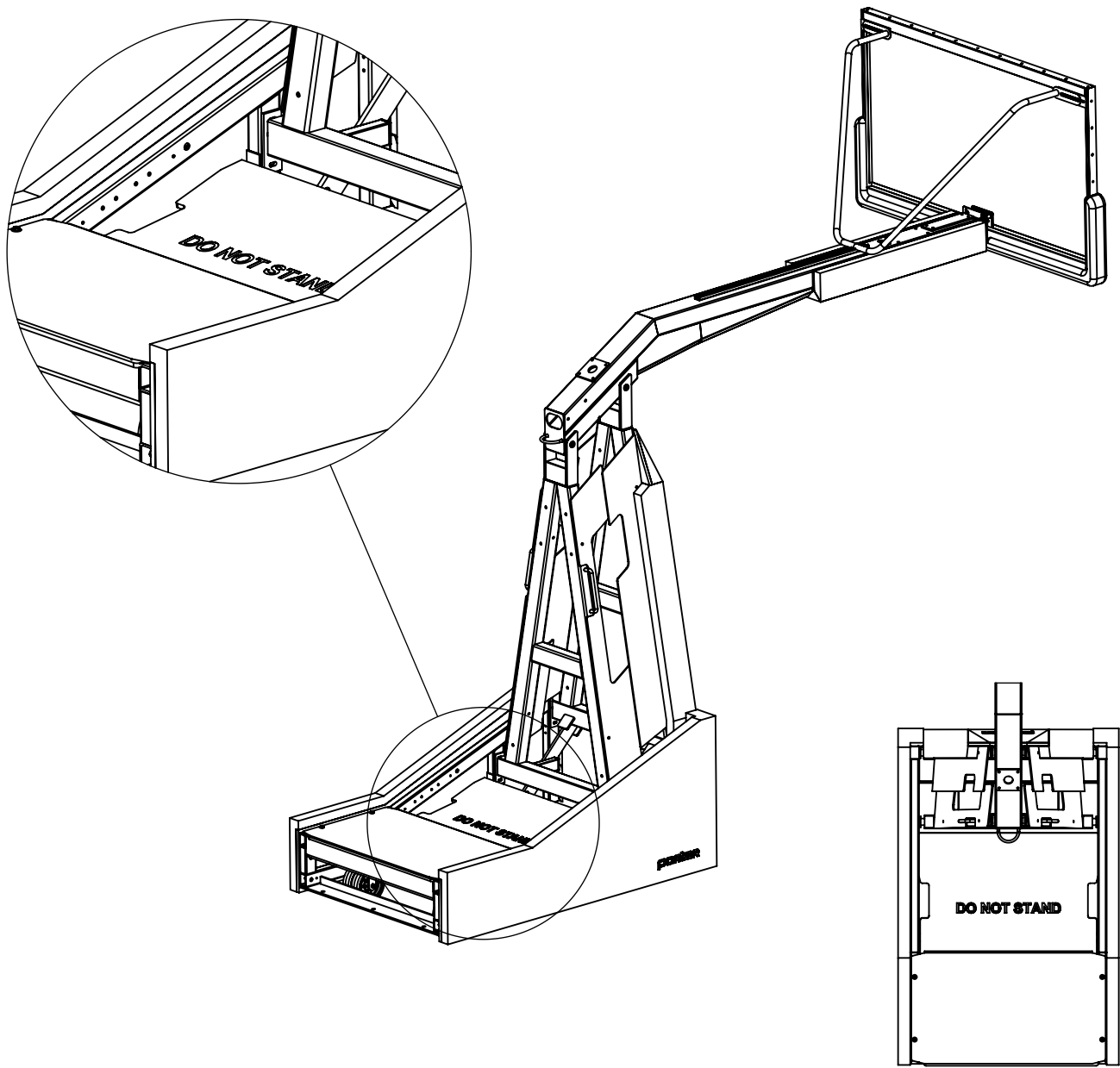


Bolt on the front side panels using two (2) 3/8-16 x 4-3/4" lg bolts with (2) 3/8" lockwashers and (2) 3/8" flatwashers for each panel.

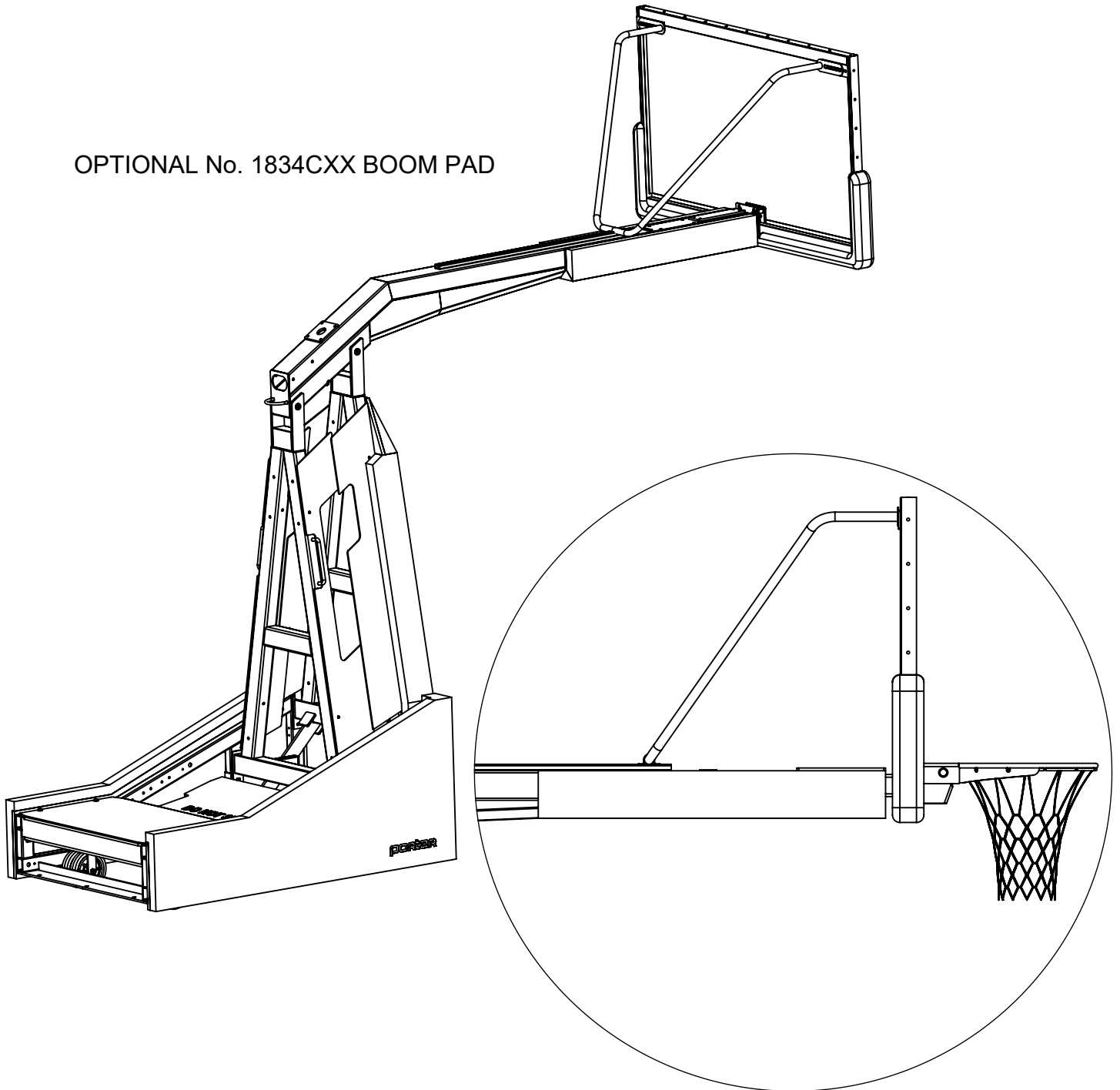
Bolt on the rear side panels using two (2) 3/8-16 x 4-3/4" lg bolts with (2) 3/8" lockwashers and (2) 3/8" flatwashers for each panel.



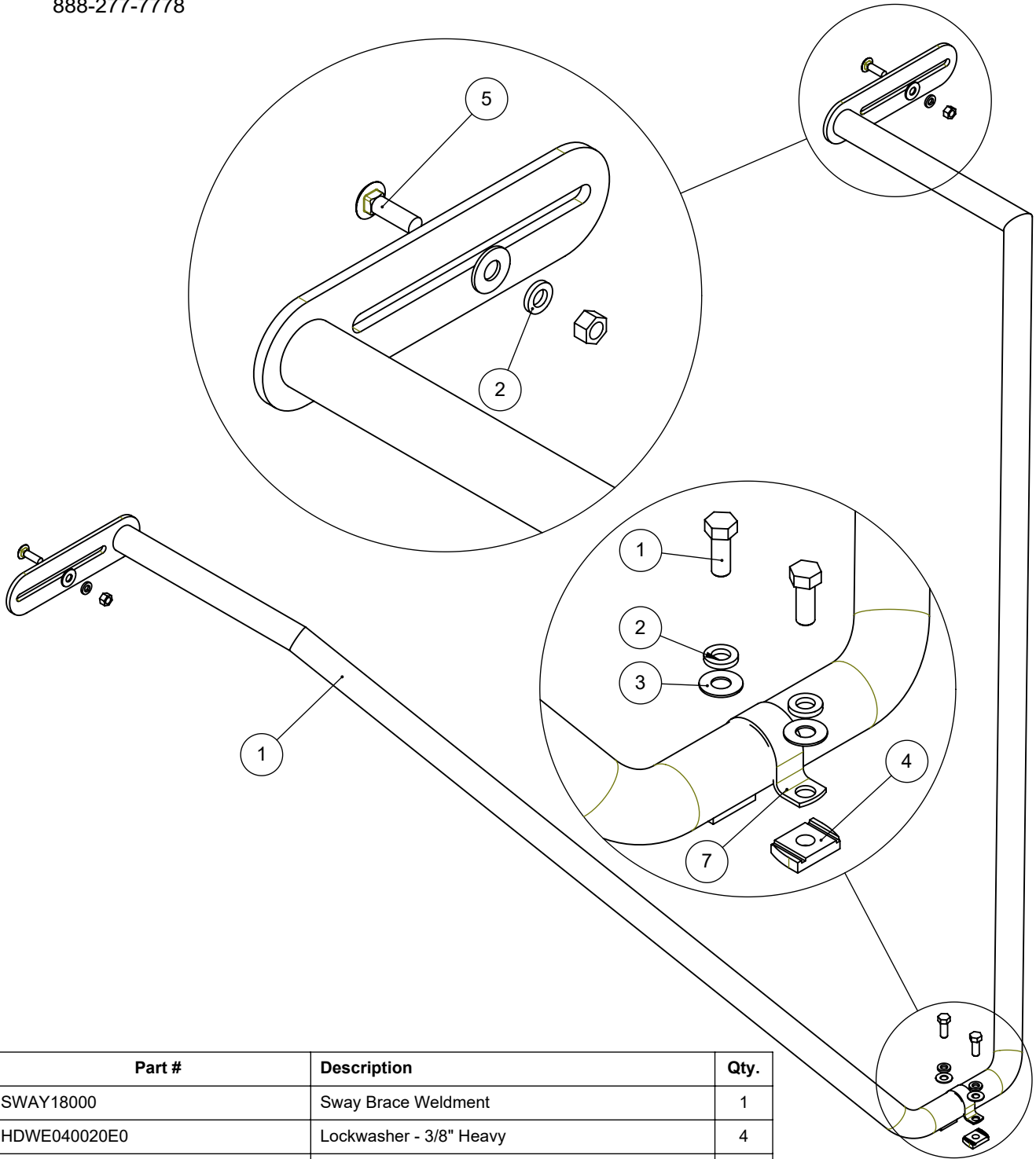
Place the "DO NOT STAND" spring cover over the springs



OPTIONAL No. 1834CXX BOOM PAD



Use the straps to attach the boom pad



#	Part #	Description	Qty.
1	SWAY18000	Sway Brace Weldment	1
2	HDWE040020E0	Lockwasher - 3/8" Heavy	4
3	M2534	Washer, Flat, 3/8" SAE, .875" OD, .4" ID	2
4	HDWE030570E0	Unistrut Nut w/o Spring 3/8-16. P3008 or N228WO	2
5	HDWE020130E0	Carriage Bolt, 3/8" - 16 X 1- 1/4"	2
6	HDWE011240E0	Hex Bolt 3/8"-16 x 1	2
7	CLMP00008	Sway Brace Clamp	1

OPERATING PROCEDURES

TO RAISE BACKSTOP TO PLAYING POSITION

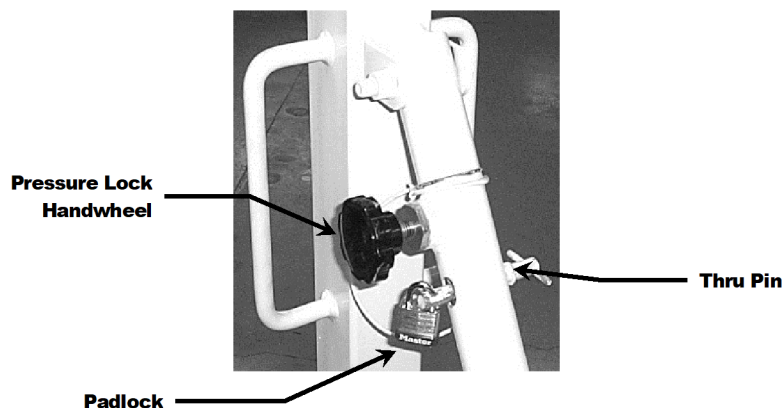
1. Roll to the playing position while backstop is in the folded and locked position.
2. Lower front leveling feet to lock backstop in place.
3. Loosen (turn counterclockwise) the pressure lock handwheel on the telescoping height adjustment brace.
4. Remove the padlock and thru pin in the telescoping height adjustment brace tube.
5. Clear all individuals from the floor area around the backstop. Stand to one side of the backstop, grasp handle on rear mast, then carefully and slowly lift upward on handle located near rear of backstop.
6. Slowly raise or push backstop to desired goal height setting (8', 9', or 10')
7. Replace thru pin and padlock.
8. Tighten handwheel in telescoping brace securely.
9. Install tie-down hand knobs into floor anchors

TO LOWER BACKSTOP FOR TRANSPORT/ STORAGE

1. Remove tie-down hand knobs.
2. Loosen (turn counterclockwise) the pressure lock handwheel on the telescoping height adjustment brace.
3. Remove the padlock, and while grasping the side handle on the rear vertical support, remove the thru pin from the telescoping brace.
4. Stand to one side, grasp handle on rear mast, and slowly lower the backstop to the lowest down or storage position.
5. Replace thru pin and padlock in telescoping brace.
6. Tighten handwheel in telescoping brace securely.
7. Raise front leveling feet
8. Roll backstop to the storage location

IMPORTANT

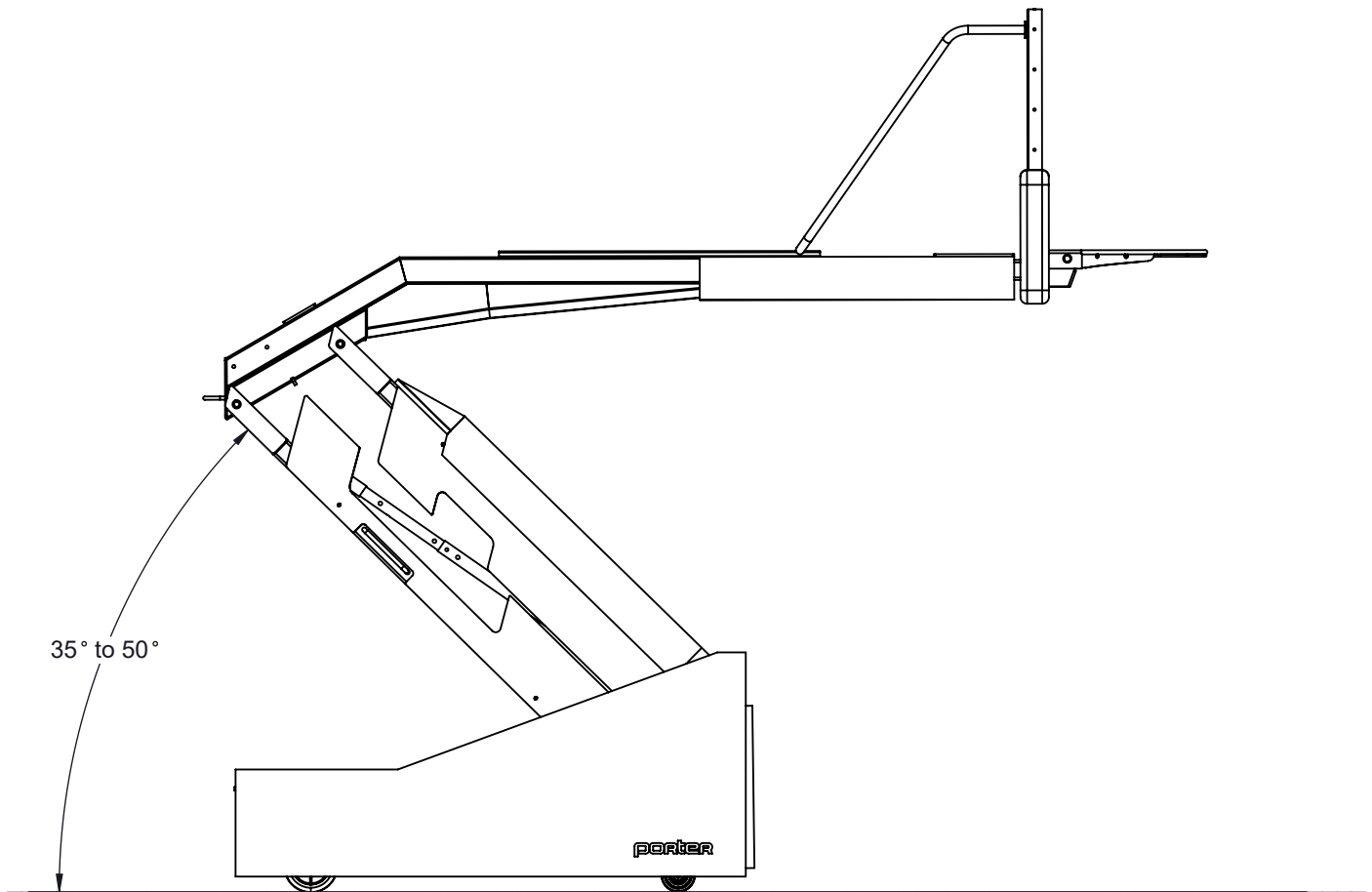
ALWAYS KEEP PADLOCK IN THE LOCKED POSITION ON THE TELESCOPING HEIGHT ADJUSTMENT BRACE WHILE IN THE PLAYING OR STORAGE POSITIONS, TO PREVENT USE OF THIS BACKSTOP BY UNAUTHORIZED INDIVIDUALS, WHO ARE NOT FAMILIAR WITH THE SAFE OPERATION OF THE BACKSTOP.



The tension springs on this backstop have been pre-adjusted at the factory for proper raising and lowering of the backboard. However, should it be necessary to adjust the springs after years of use, or with the addition of a shot clock, the following adjustment procedures should be followed. As a safety precaution, it is advisable to check operation of backstop with two individuals (one standing on each side of the backstop) in the event of unexpected movement, or undue forces exerted by the backstop support mechanism. Refer to detail on page 16 for adjustment of tension springs.

WARNING - When making adjustment, the backstop must be in the up and locked position. Do not turn the adjustment nuts (C) more than two turns before trying operation of backstop, to avoid erratic or sudden movement, which may result in bodily injury or damage to the backstop. When checking folding action, keep all individuals clear of backstop and stand to one side while grasping handle.

Spring setting – For proper operation of this backstop, it is highly recommended that the spring tension be adjusted so backstop will be held in a static position with the vertical supports at an approximate 35° to 50° angle from the horizontal position. See detail below.



For proper operation, the backstop must be manually pushed to the full up (playing) position, or the full down (storage) position. Operate backstop slowly to prevent damage or injury.

DIFFICULTY IN RAISING UNIT TO PLAYING POSITION (REFER TO DETAIL "L")

1. Loosen (turn clockwise) the two jam nuts (A) approximately six (6) turns.
2. Loosen (turn counterclockwise) the two jam nuts (B) approximately one (1) turn.
3. Tighten (turn clockwise) jam nuts (C) no more than two (2) turns.
4. Carefully raise unit to the playing position and check static position (refer to Detail "L"). Should it be necessary to tighten springs further, carefully raise unit and lock in the up position before proceeding.
5. Repeat Steps No. 3 & 4 until folding action of backstop functions properly.
6. Re-tighten jam nuts A & B securely to lock jam nut C in position after final adjustment has been made.

DIFFICULTY IN LOWERING UNIT TO STORAGE POSITION

1. Loosen (turn clockwise) the two jam nuts (A) approximately one (1) turn.
2. Loosen (turn counterclockwise) the two jam nuts (B) approximately six (6) turns.
3. Loosen (turn counterclockwise) the two jam nuts (C) no more than two (2) turns.
4. Carefully raise and lower unit and check the static position (refer to Detail "L"). Should it be necessary to loosen springs further, carefully raise unit and lock in the up position before proceeding.
5. Repeat Steps No. 3 & 4 until backstop functions properly.
6. Re-tighten jam nuts A & B securely to lock jam nut C in position after final adjustments have been made.

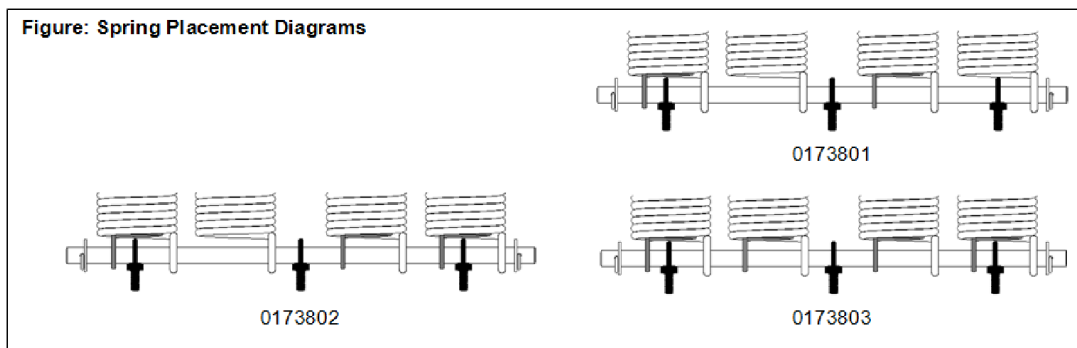
ADDITION OR REMOVAL OF SPRINGS

If springs need to be added or removed from the unit, the spring carriage must be disconnected from the base frame.

1. Raise the unit to the upright position and lock the unit securely in place.
2. If a motor is attached, disconnect the motor from the motor mounting arm which is connected to the rear mast weldment.
3. Place a protective barrier (i.e. cardboard, towel, etc.) under the spring carriage between the castors; this will help to protect the floor from damage.
4. Loosen (turn counterclockwise) the two jam nuts (B) to the end of the thread of the tension stud.
5. Loosen (turn counterclockwise) the two jam nuts (C) until they are flush against the jam nuts (C).
6. Remove the nuts and lock washers which attach the eye bolts to the back plate of the frame to detach the rear spring bar and lower it to the floor.
7. Remove each of the tension stud pins and the cotter pins to detach the forward spring bar and lower it to the floor.
8. Remove the hair pin cotter pins and large washers on each end of the rear spring bar.
9. Remove the tension studs from the forward spring bar by first removing the jam nuts (B's and C's), lock washers, and washers.

(ADDITION OR REMOVAL OF SPRINGS CONTINUED):

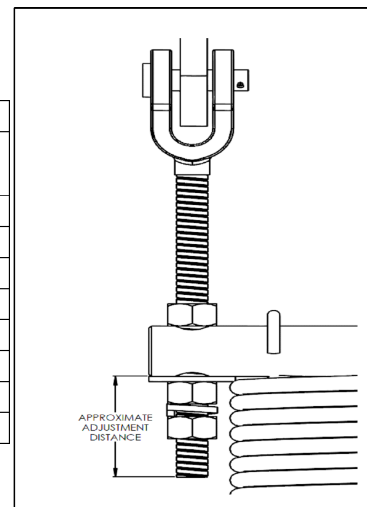
10. Add or remove springs as necessary. When placing springs and eye bolts onto the rear spring bar, do so in accordance with the following figure depending on how many of each spring you have (eye bolts are pictured in black, nested springs are gray, outer tension springs are white):



11. Once the springs and eye bolts are placed back on the spring bars, reattach the spring carriage in reverse order of the removal process.

12. After the spring carriage is reattached the tension in the springs needs to be set. Start by tightening the jam nuts according to the following tables for a starting position:

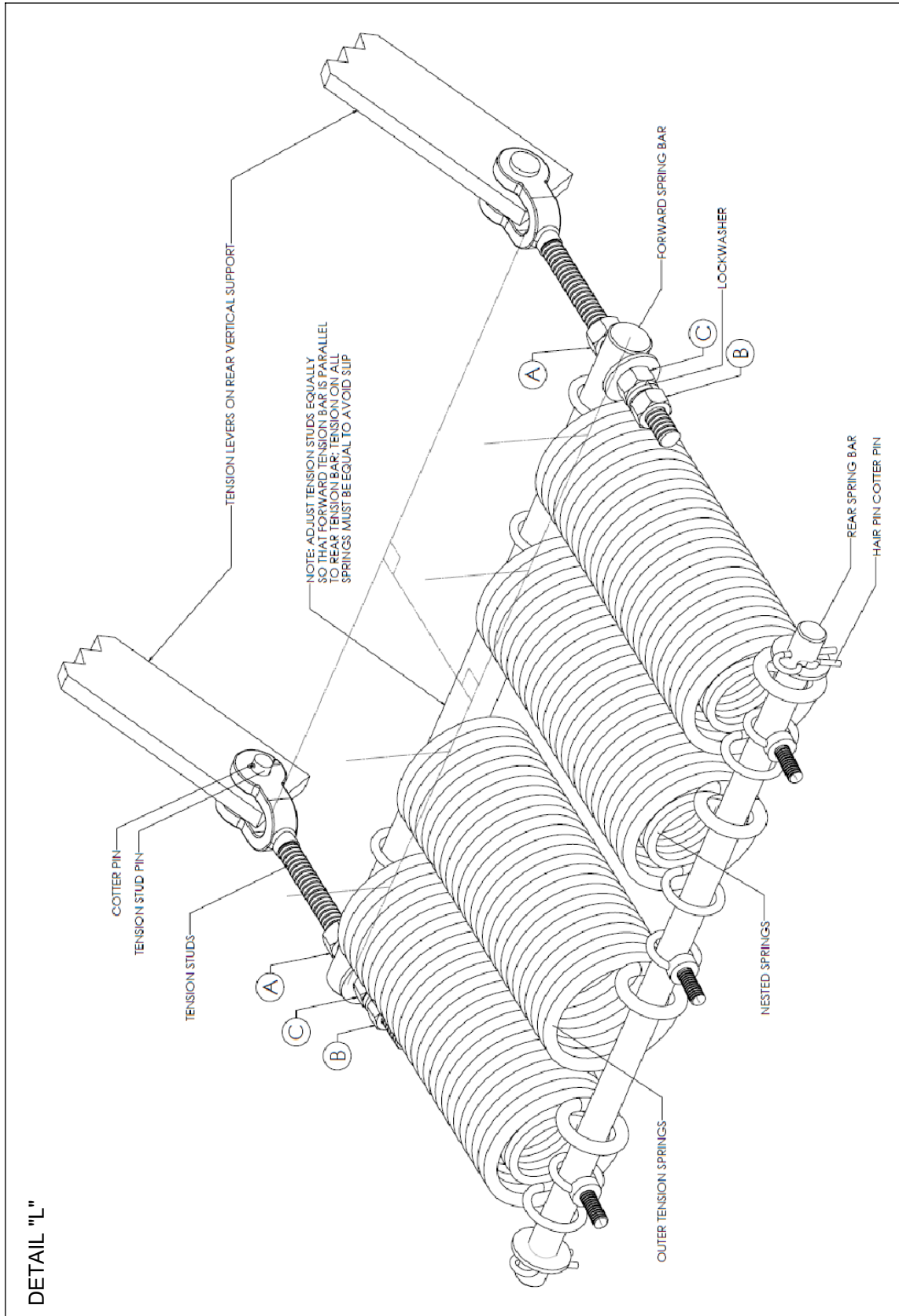
1835-800 (8' Boom)			1835-108 (10'8" Boom)		
Shot Clock Weight:	Apprx. Adjustment Distance (in):	Spring Kit #:	Shot Clock Weight:	Apprx. Adjustment Distance (in):	Sprint Kit #:
No Shot Clock	3.5	Stock	No Shot Clock	6.0	Stock
No Shot Clock	3.5	0173801	No Shot Clock	6.0	0173801
25	3.5	0173802	25	5.5	0173802
50	4.5	0173802	50	4.5	0173803
75	5.5	0173802	75	5.5	0173803
100	4.5	0173803	100	6.5	0173803
125	5.5	0173803	125	7.0	0173803
150	6.5	0173803	<i>Shot clocks over 125lbs overload the unit</i>		



13. Now that the initial spring tension has been set, attempt to lower and raise the unit to determine if additional adjustments are necessary.

WARNING - Use caution when attempting to lower and raise the unit after following this procedure. It is recommended that a minimum of two people be on sight when performing this action.

14. If further adjustment is necessary, follow the procedures on page 21 for either "DIFFICULTY IN RAISING UNIT TO PLAYING POSITION" or "DIFFICULTY IN LOWERING UNIT TO PLAYING POSITION" respectively.





www.porterathletic.com
888-277-7778

MAINTENANCE CHECKLIST

Perform a complete inspection of this portable backstop at least quarterly (every 3 months).

- Check entire backstop for structural integrity. Examine welds for soundness. Inspect all fittings and hardware - replace as required.
- Check all padding on portable backstop and on backboard.
- Check that tie down knobs and floor anchors are functioning properly and structurally sound.
- If a shot clock is installed, check that all hardware is properly tightened and support structure is structurally sound.



www.porterathletic.com
888-277-7778

GUARANTEE

All materials and workmanship of basic materials are guaranteed to be free and clear of defects. Defective material will be repaired or replaced, at our option, subsequent to complete information being received by us concerning the nature of the defect, for a period of one year from the date of completion of the assembly/installation.

NAME OF DEALER:	NAME OF INSTALLATION COMPANY
PHONE #:	PHONE #:

Porter Order Number: _____

Date of Completion: _____

Care has been taken to fabricate and install this equipment to provide years of safe, satisfactory use and trouble-free service. The key to satisfactory service from this equipment is proper operation and care. Should any malfunctions occur, please notify your supervisor and call your local Porter Dealer or Representative.

THIS WARNING IS GIVEN IN COMPLIANCE
WITH CALIFORNIA'S PROPOSITION 65:

WARNING

This product contains chemicals known to the
State of California to cause cancer, birth defects
or other reproductive harm.