

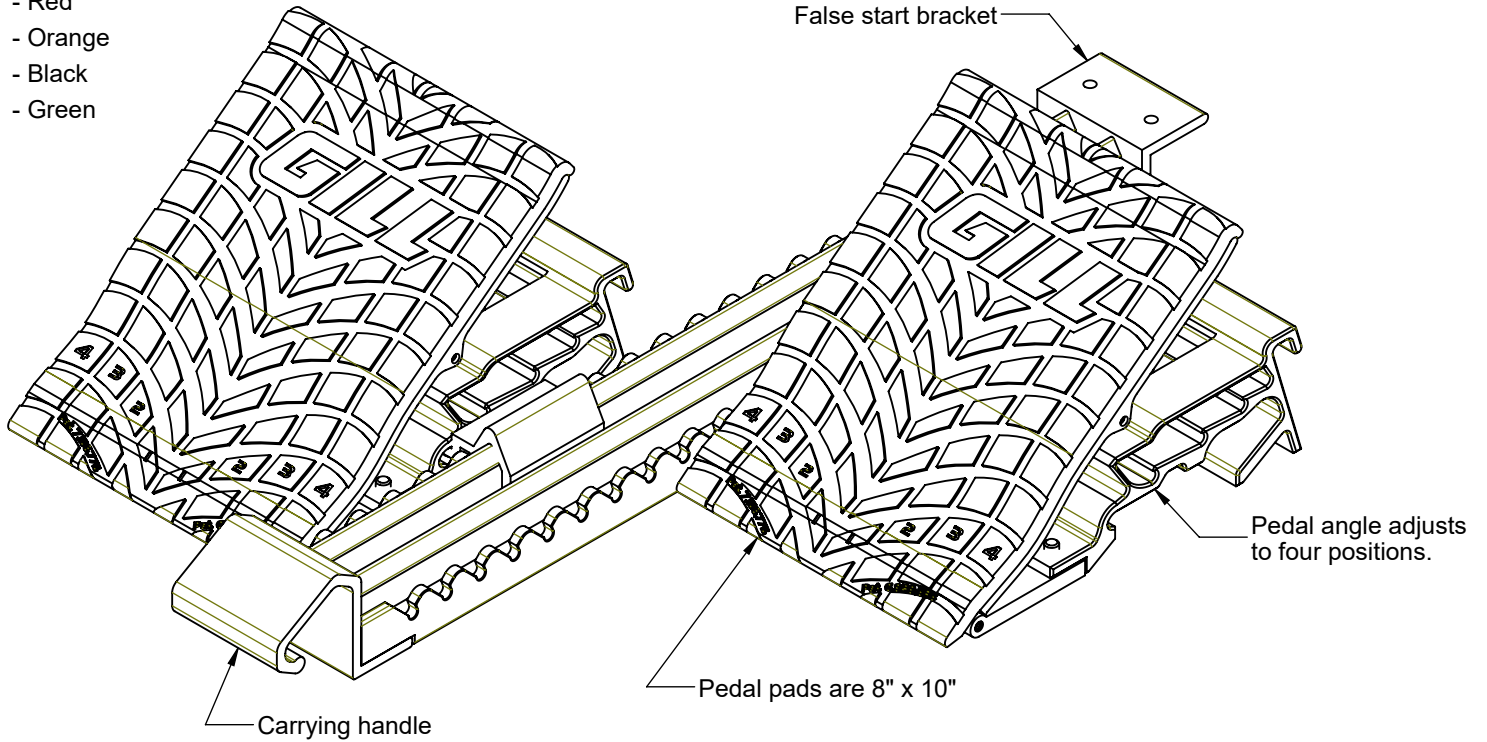


www.gillathletics.com
800-637-3090

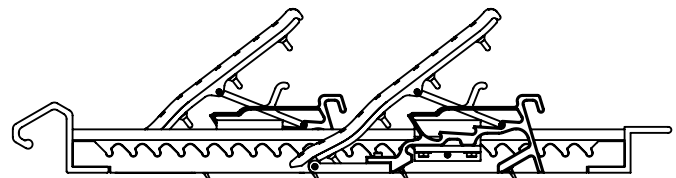
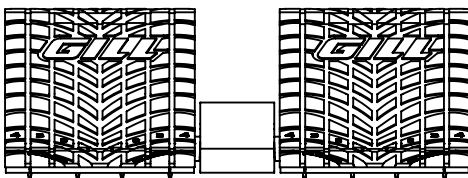
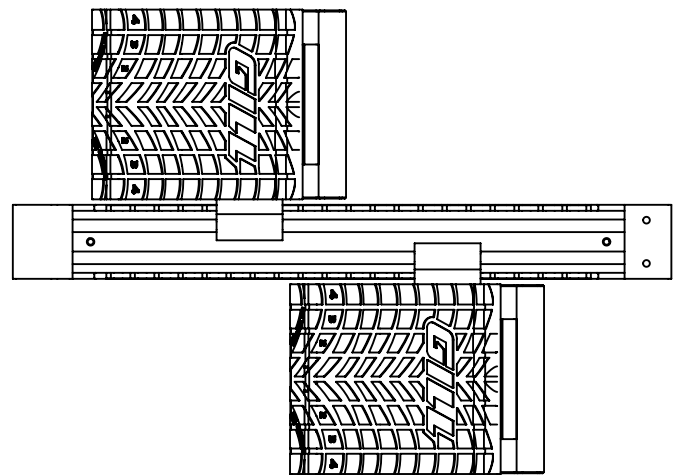
730183 - FUSION 8x10 STARTING BLOCK INSTRUCTIONS

Pedal pads are available in the following colors:

- Royal Blue
- Red
- Orange
- Black
- Green



Precise and consistent foot placement is ensured using the integrated pedal markings. Pedals are adjustable to 30°, 40°, 50°, and 60° settings. Angled spikes in the base of the pedals guarantee a start with absolutely no slipping. Built in handle allows for easy carriage.





www.gillathletics.com
800-637-3090

730183 - FUSION 8x10 STARTING BLOCK INSTRUCTIONS

The FUSION starting block is shipped unassembled.

The following tools are needed:

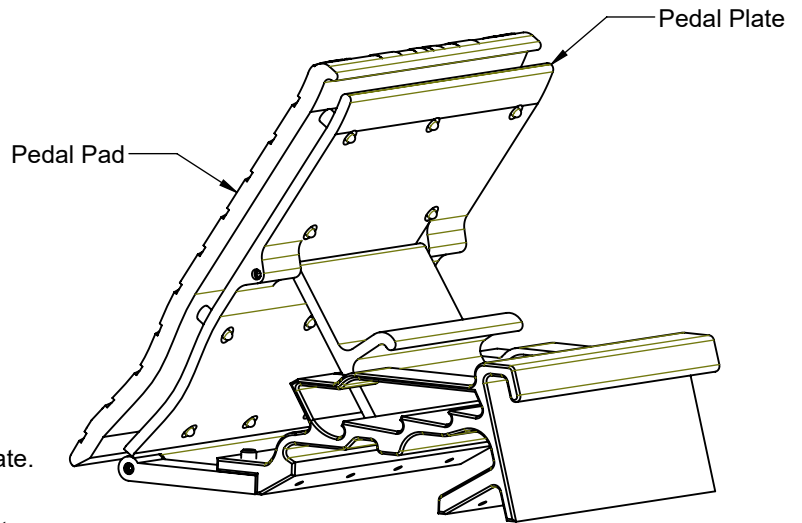
- Needle Nose Pliers
- Spike Wrench
- Allen Key (provided)

1. Pedal pads

Set the angle of the pedal to the 60 position.

Insert the tabs on the pedal pad into the holes in the pedal plate.

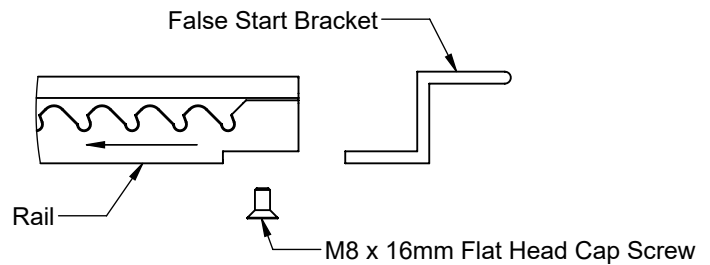
Use one hand to press on the pedal pad. Use the other hand to gently pull the tabs through the holes with needle nose pliers. Gently wiggle the tab to help it through the hole. Be careful not to pull the tab off of the pedal pad.



2. False start bracket

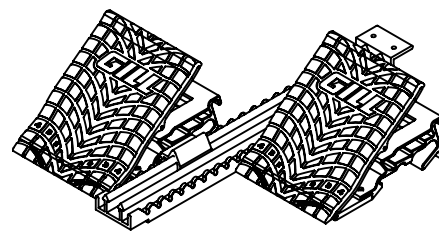
Fasten the false start bracket to the back of the rail with the flat head screw provided.

Make sure that the "teeth" of the rail are pointing away from the false start bracket.



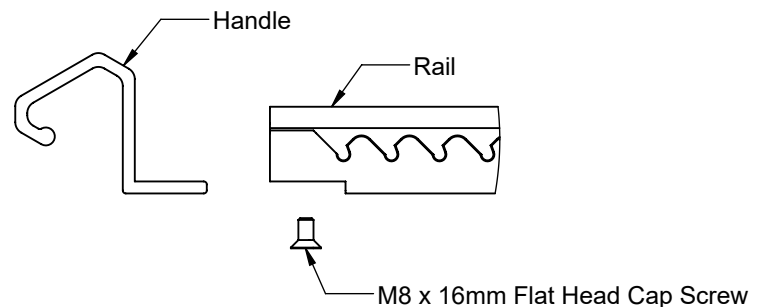
3. Pedals

Slide each pedal onto the rail so that the pedal pad is facing towards the open end of the rail.



4. Handle

Fasten the handle to the front of the rail with the flat head screw provided.



5. Spikes

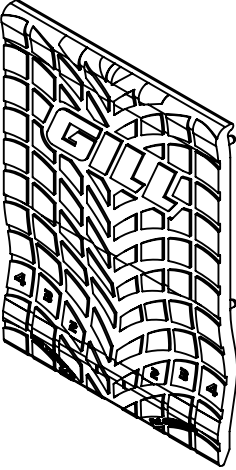
Flip the starting block over and install the spikes into the bottom of each pedal.




www.gillathletics.com
800-637-3090

730183 - FUSION 8x10 STARTING BLOCK INSTRUCTIONS

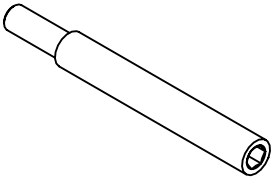
Replacement Parts



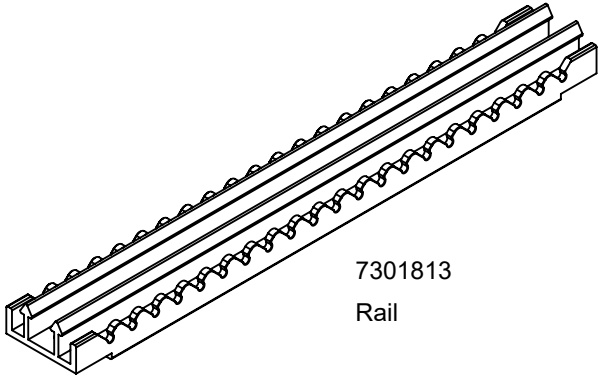
7301831C02 - Royal Blue
7301831C03 - Red
7301831C05 - Orange
7301831C12 - Black
7301831C15 - Green




REPL00043
Pedal Set Screws QTY 10



REPL00063
F8 / F10 Fusion Block
Angle Support Top Set Screw
QTY 10



7301813
Rail

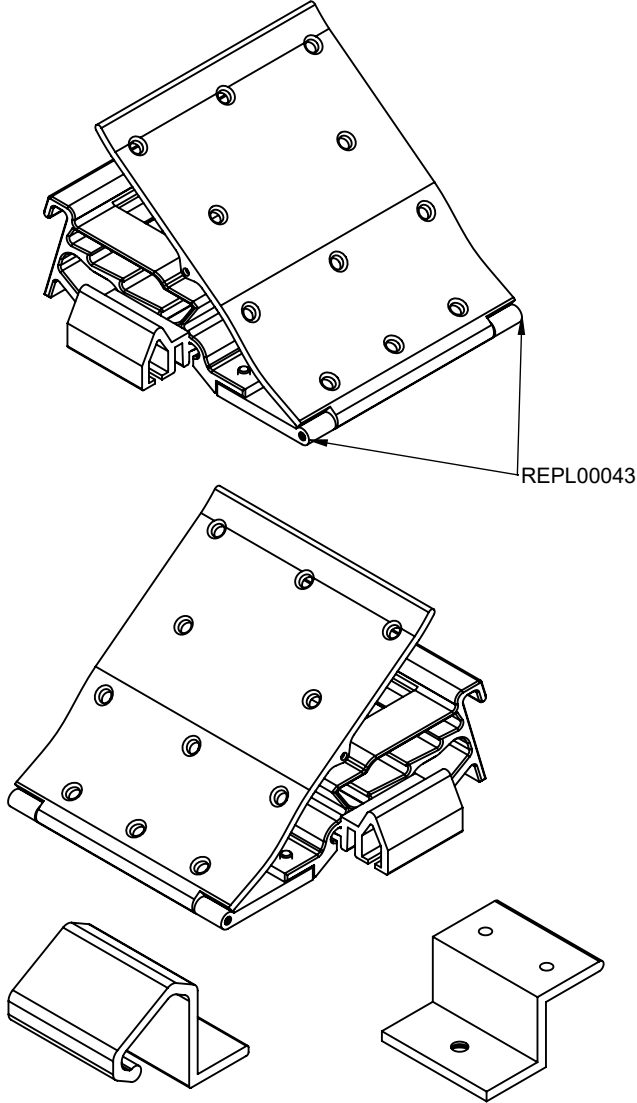


73016504
Spike Kit
includes 16 spikes

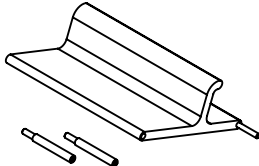
7301832

Includes:

- Right & Left Pedal with Pedal to Rail Connectors
- Handle & Rear Bracket
- Handle & Rear Bracket Screws



REPL00043



REPL00061
F8 Fusion Block Angle Support
with Pin and Set Screw