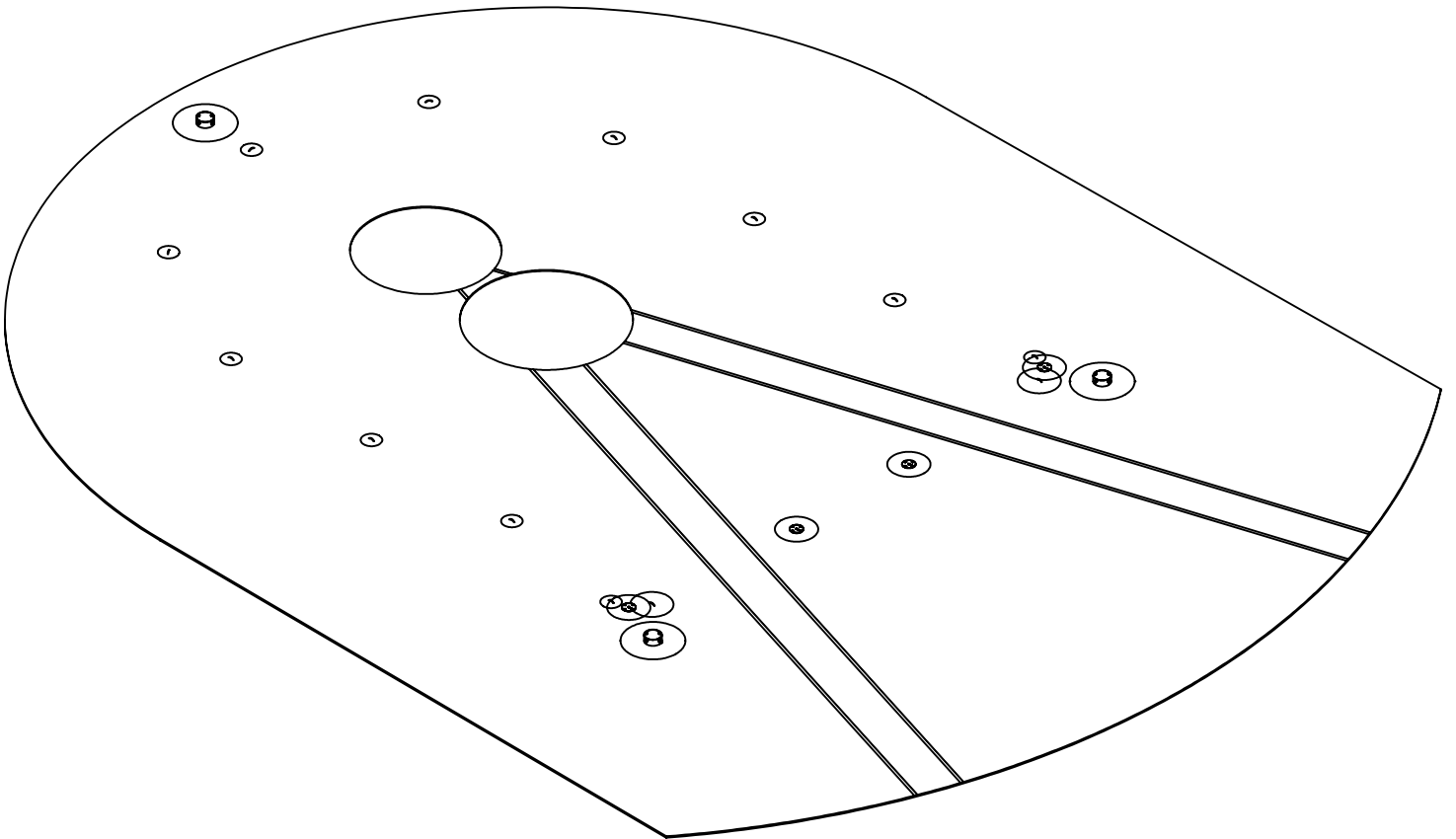




www.gillathletics.com
800-637-3090

753100CXX - HAMMER AND DISCUS THROWING CAGE GROUND SLEEVE AND NET ANCHOR FOOTINGS LOCATION

ISOMETRIC VIEW

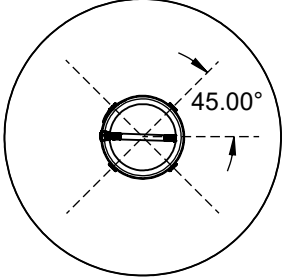




www.gillathletics.com
800-637-3090

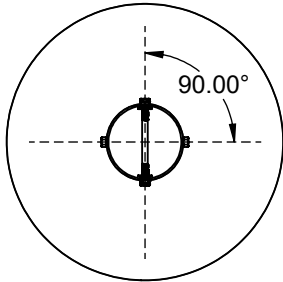
753100CXX - HAMMER AND DISCUS THROWING CAGE GROUND SLEEVE AND NET ANCHOR FOOTINGS LOCATION

FRONT FOOTING [A]



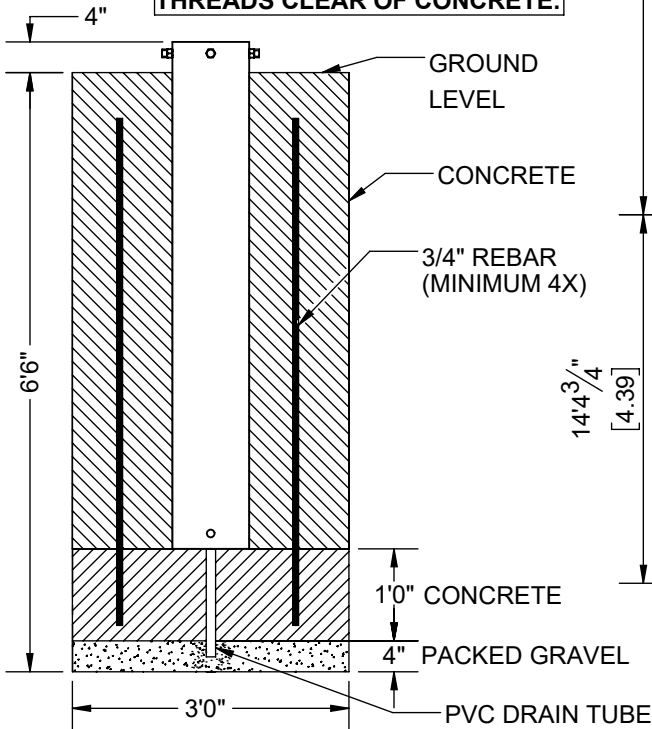
FRONT UPRIGHT
GROUND SLEEVE
ORIENTATION

REAR FOOTING [B]



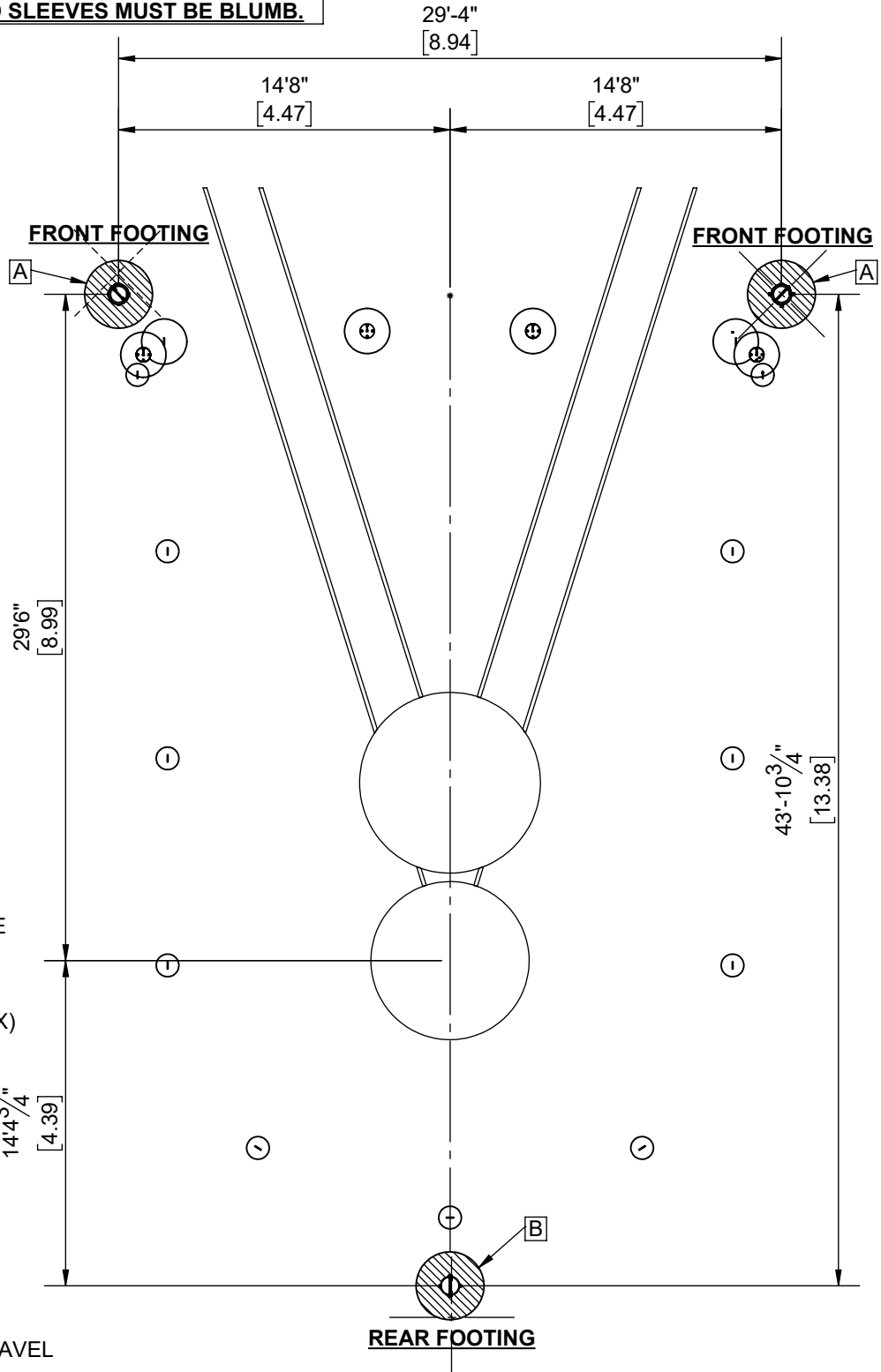
REAR UPRIGHT
GROUND SLEEVE
ORIENTATION

NOTE:
LEAVE HEX BOLTS IN GROUND
SLEEVE WELDED NUTS TO KEEP
THREADS CLEAR OF CONCRETE.



NOTE:
VERTICAL ORIENTATION OF UPRIGHT
GROUND SLEEVES ARE CRUTIAL.
GROUND SLEEVES MUST BE BLUMB.

TOP VIEW UPRIGHTS FOOTING



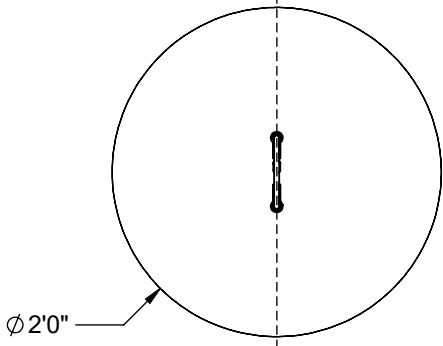


www.gillathletics.com
800-637-3090

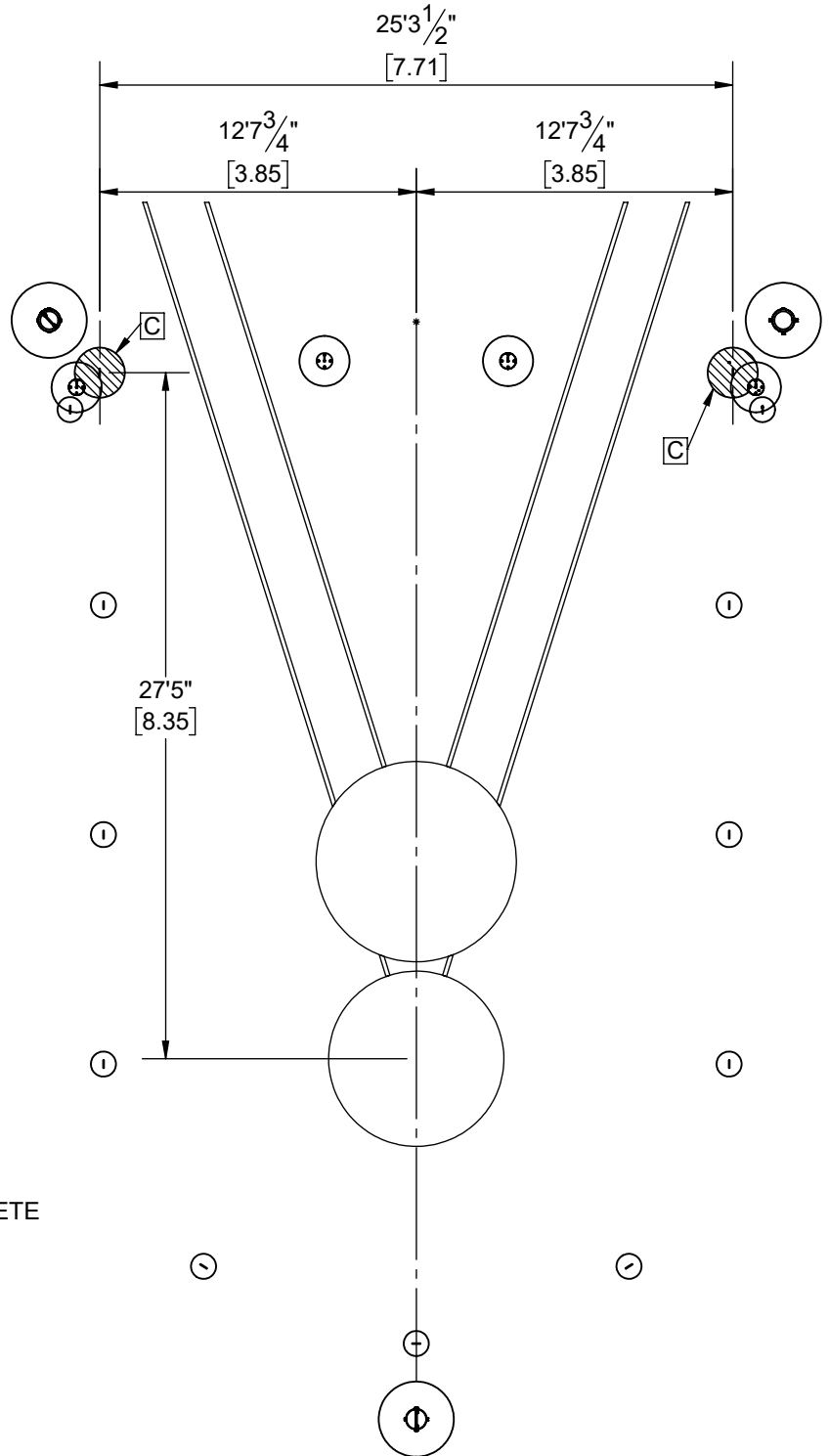
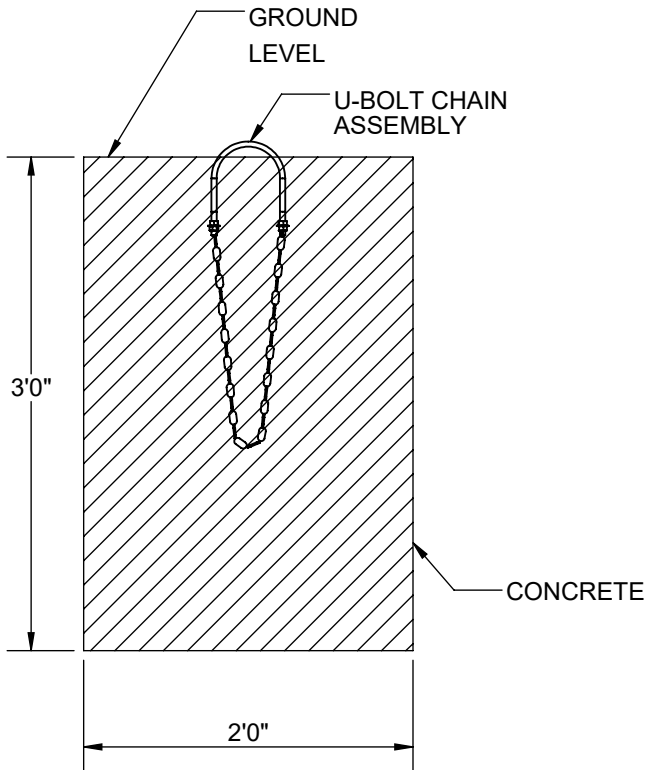
753100CXX - HAMMER AND DISCUS THROWING CAGE GROUND SLEEVE AND NET ANCHOR FOOTINGS LOCATION

TOP VIEW NET ANCHOR FOOTINGS

NET ANCHOR FOOTING [C]



VERTICAL ORIENTATION OF
NET ANCHOR U-BOLTS
(12'6" FROM CENTER LINE)

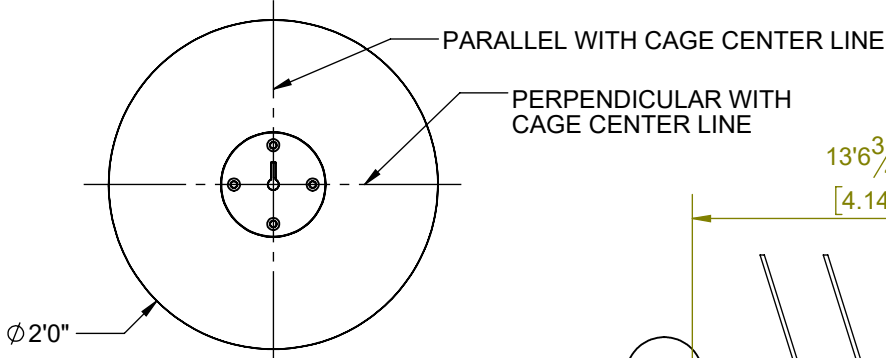




www.gillathletics.com
800-637-3090

753100CXX - HAMMER AND DISCUS THROWING CAGE GROUND SLEEVE AND NET ANCHOR FOOTINGS LOCATION

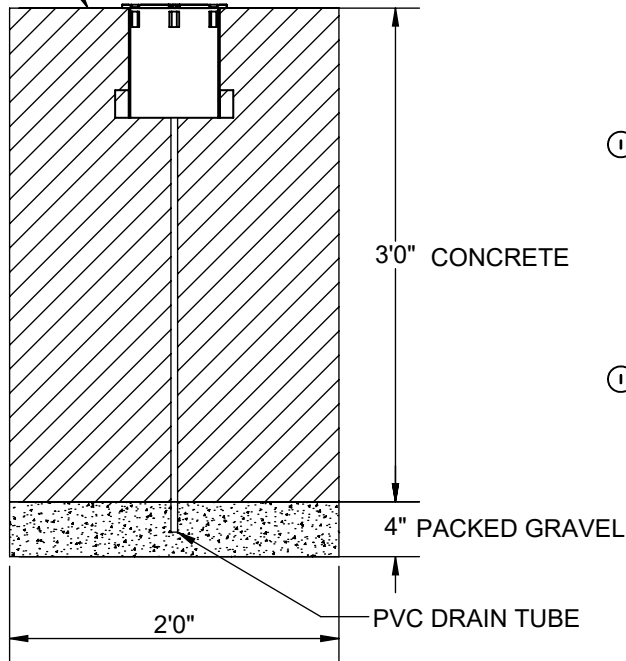
DOOR KEY ANCHOR FOOTING D



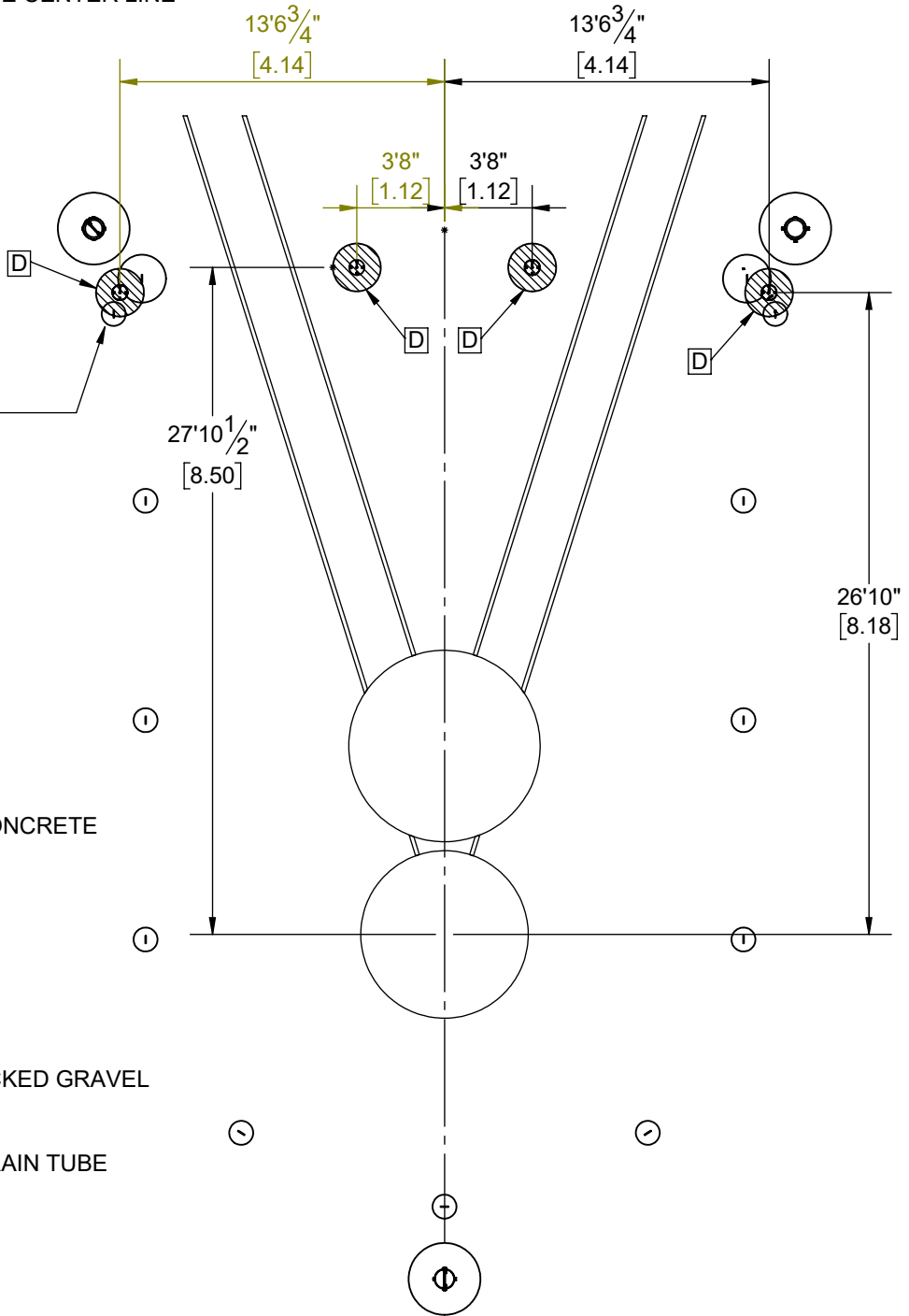
INSTALLER NOTE:
ORIENTATE DOOR KEY ANCHOR FOOTING AS SHOWN IN DETAIL.

SEE NOTE ABOUT THIS GROUP OF FOOTINGS ON PAGE 7.

GROUND LEVEL



TOP VIEW DOOR KEY ANCHOR FOOTINGS

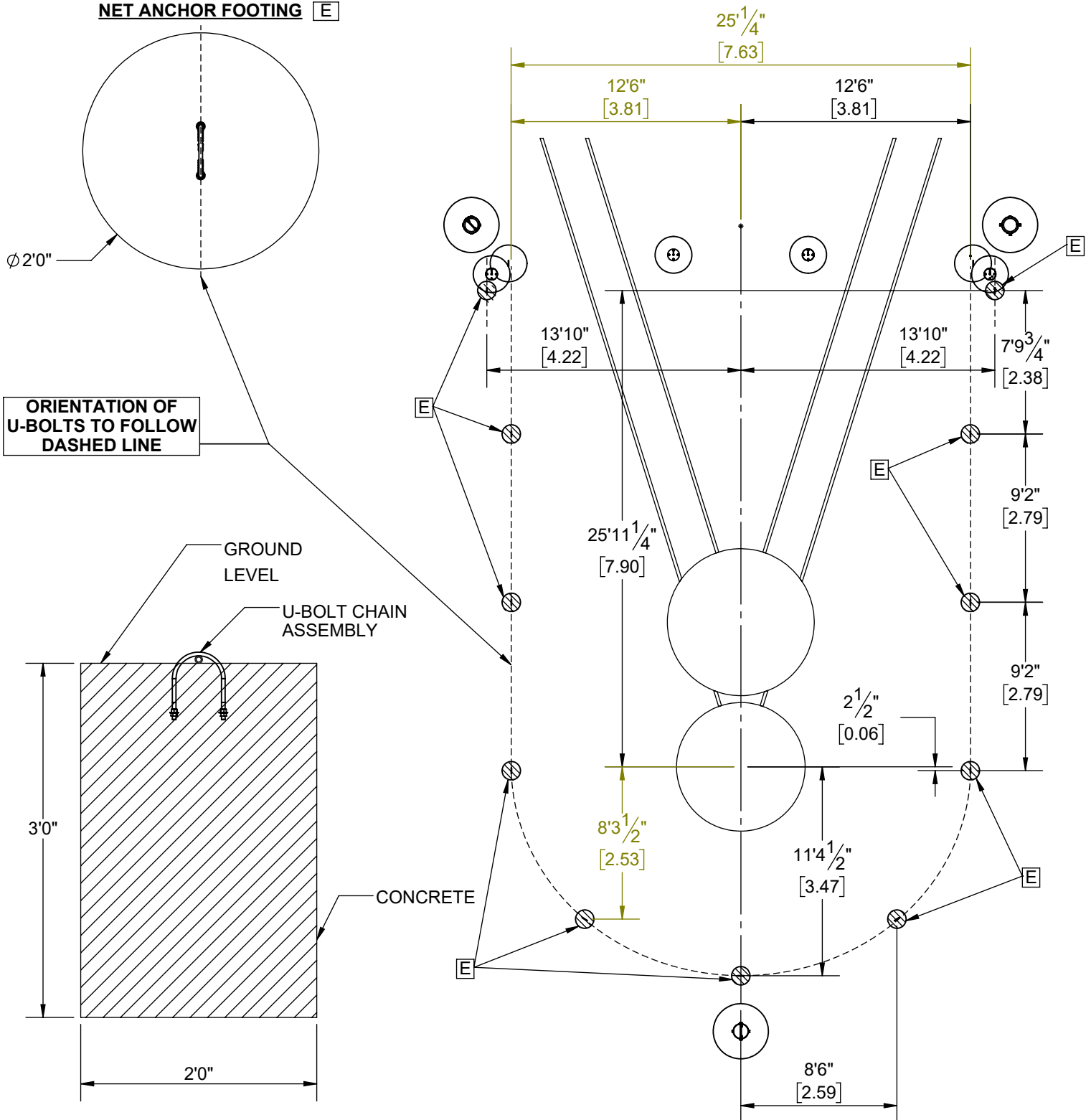




www.gillathletics.com
800-637-3090

753100CXX - HAMMER AND DISCUS THROWING CAGE GROUND SLEEVE AND NET ANCHOR FOOTINGS LOCATION

TOP VIEW
NET ANCHOR FOOTINGS

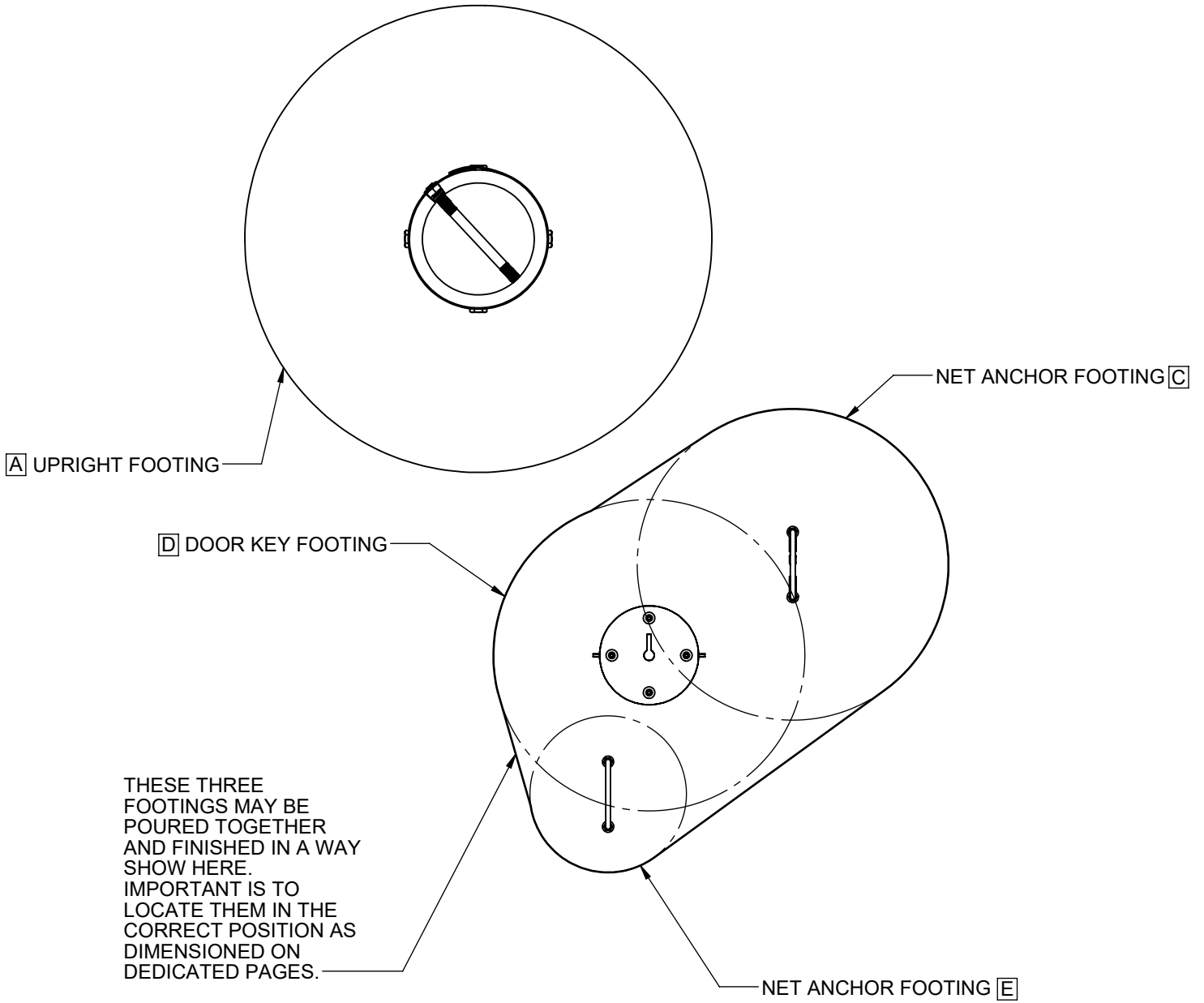




www.gillathletics.com
800-637-3090

753100CXX - HAMMER AND DISCUS THROWING CAGE GROUND SLEEVE AND NET ANCHOR FOOTINGS LOCATION

FOOTING GROUPING

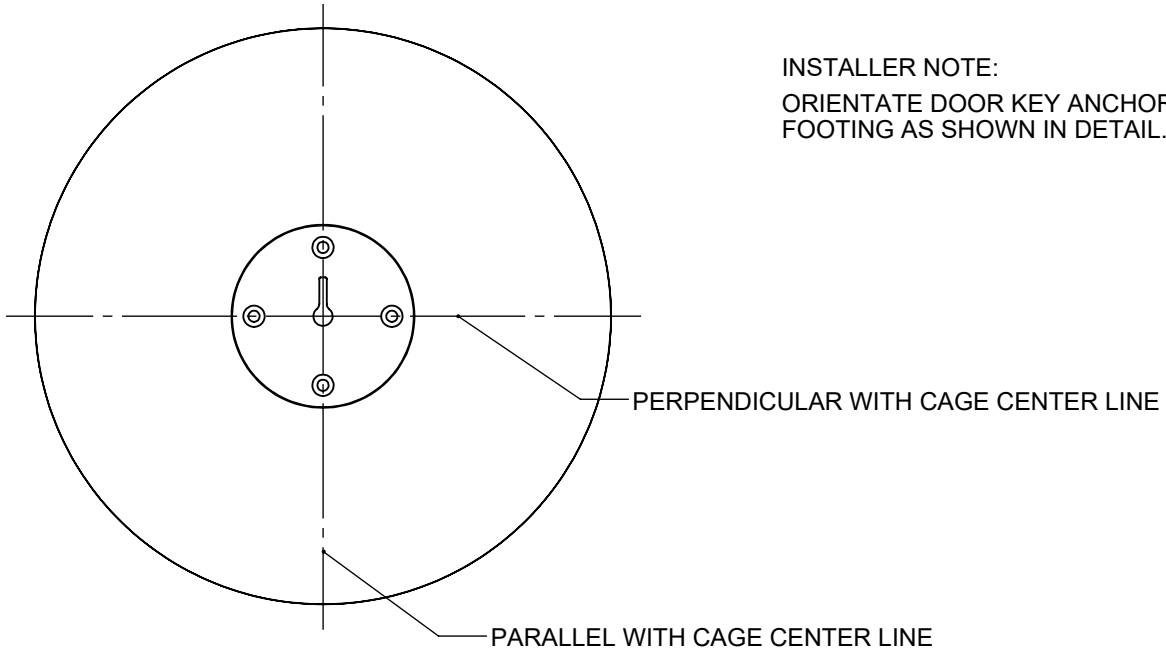




www.gillathletics.com
800-637-3090

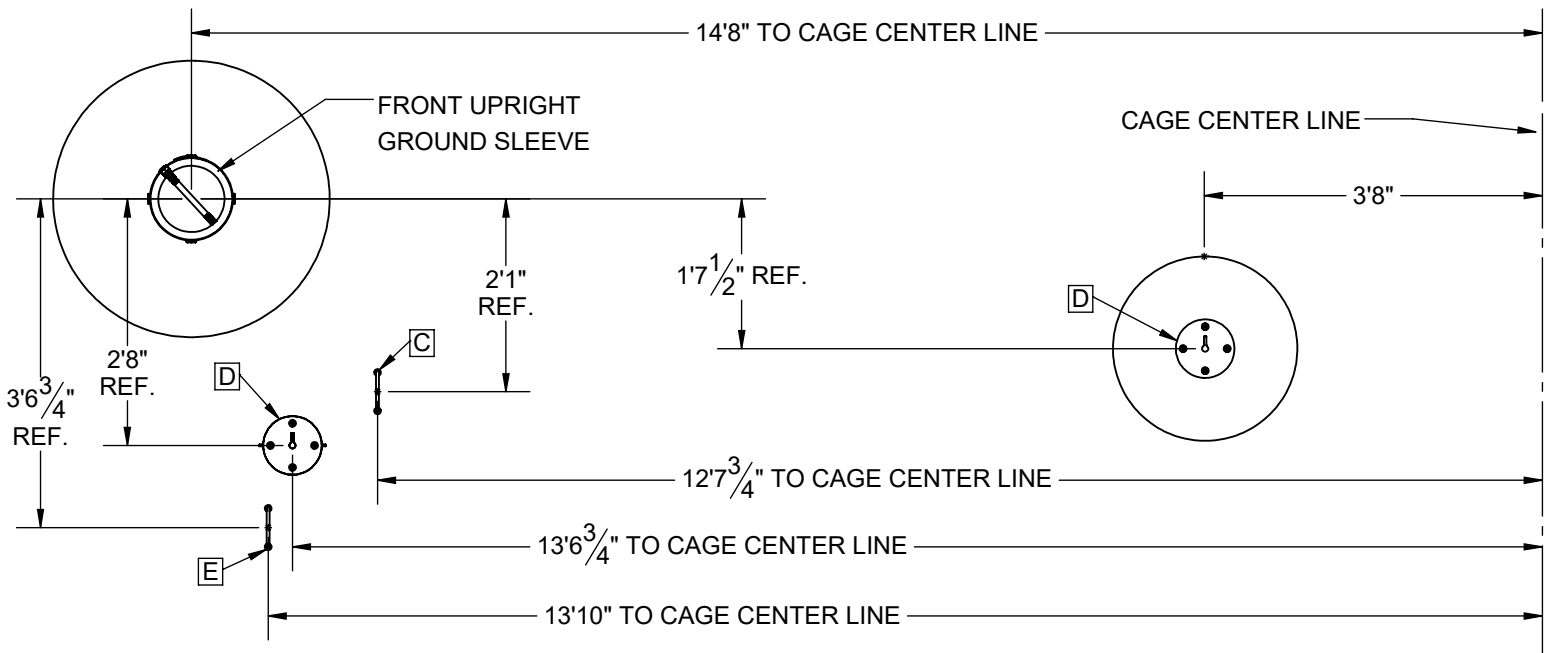
753100CXX - HAMMER AND DISCUS THROWING CAGE GROUND SLEEVE AND NET ANCHOR FOOTINGS LOCATION

DOOR KEY ANCHOR FOOTING D (BLANK LID INCLUDED FOR INSTALLATION)



INSTALLER NOTE:
ORIENTATE DOOR KEY ANCHOR
FOOTING AS SHOWN IN DETAIL.

TOP VIEW MAIN NET AND DOOR KEY ANCHOR FOOTINGS (ONLY LEFT SIDE FROM CENTER LINE SHOWN, RIGHT SIDE IS MIRRORED)

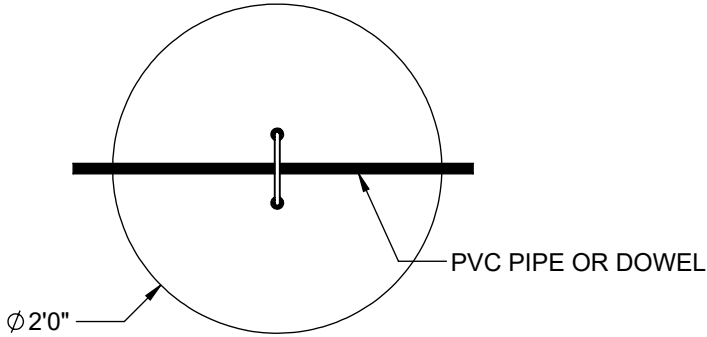




www.gillathletics.com
800-637-3090

753100CXX - HAMMER AND DISCUS THROWING CAGE GROUND SLEEVE AND NET ANCHOR FOOTINGS LOCATION

NET ANCHOR FOOTING [C][E]



CAST THE U-BOLTS INTO CONCRETE FOR THE NET ANCHOR FOOTINGS.

CAST THE U-BOLT ASSEMBLIES WITH CHAIN THE SAME WAY ENSURING CHAIN GETS PUSHED DOWN.

USE A 3/4" PVC PIPE, DOWEL, ETC. TO SPAN THE HOLE OF THE FOOTING.

HANG UP U-BOLT OVER THIS TO MAINTAIN ITS HEIGHT.

PULL THE PIPE OR DOWEL OUT AFTER THE CONCRETE HAS CURED.

