

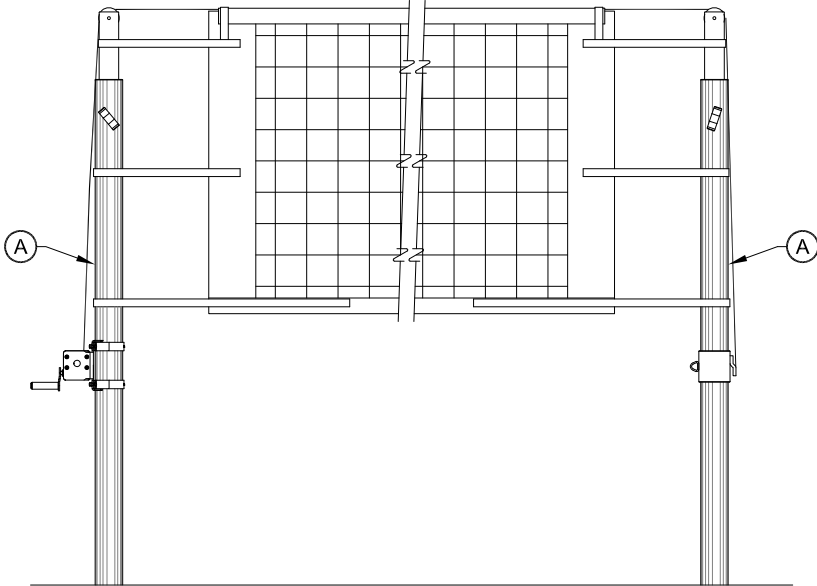
19810XX POWR-LINE VOLLEYBALL PACKAGE

SLEEVE-TYPE 3 1/2" OD ALUMINUM COMPETITION PACKAGE PLUS

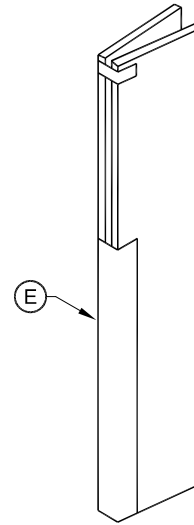
Porter
 WWW.PORTERATHLETIC.COM/FACILITY

VOLLEYBALL SPECIFICATION SHEET

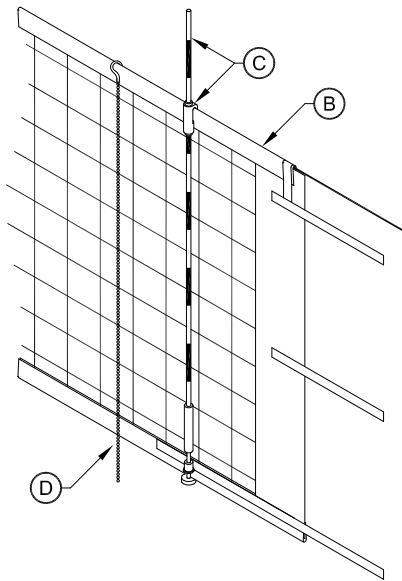
V-1981



(A) 1991 PAIR OF POWR-LINE VOLLEYBALL STANDARDS
(See Page No. V-1991)

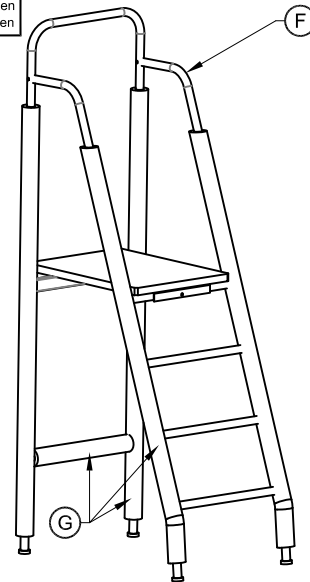


(E) 8390XX PAIR OF VOLLEYBALL UPRIGHT PROTECTIVE PADS
(See Page No. V-839)



(B) 2295 UNIVERSAL VOLLEYBALL NET
(See Page No. V-2295)
(C) 2297 PAIR OF NET ANTENNAE (See V-2297)
(D) NETCHAIN FAIR-HEIGHT NET CHAIN

COLOR SELECTION	
01 - Light Blue	09 - Gray
02 - Royal Blue	10 - Maroon
03 - Red	11 - Purple
04 - White	12 - Black
05 - Orange	13 - Navy Blue
06 - Yellow Gold	14 - Kelly Green
08 - Tan	15 - Dark Green



(F) 669100 JUDGE'S STAND (See Page No. V-669100)
(G) 6693XX SET OF PROTECTIVE PADS

- _____ - 19810XX POWR-LINE VOLLEYBALL COMPETITION PACKAGE PLUS W/ PADS (PAIR)- 3 1/2" OD
- _____ - 19810XXSP POWR-LINE VOLLEYBALL COMPETITION PACKAGE PLUS W/ GRAPHIC PADS(PAIR)- 3 1/2" OD
- _____ - 19830XX POWR-LINE VOLLEYBALL COMPETITION PACKAGE PLUS W/ PADS (PAIR)- 3" OD
- _____ - 19830XXSP POWR-LINE VOLLEYBALL COMPETITION PACKAGE PLUS W/ GRAPHIC PADS(PAIR)- 3" OD

Porter[®]

888-277-7778 PORTER@PORTERATHLETIC.COM
 © COPYRIGHT 2021 PORTER ATHLETIC - ALL RIGHTS RESERVED

PROJECT NUMBER _____

PROJECT NAME _____

01/07/2021